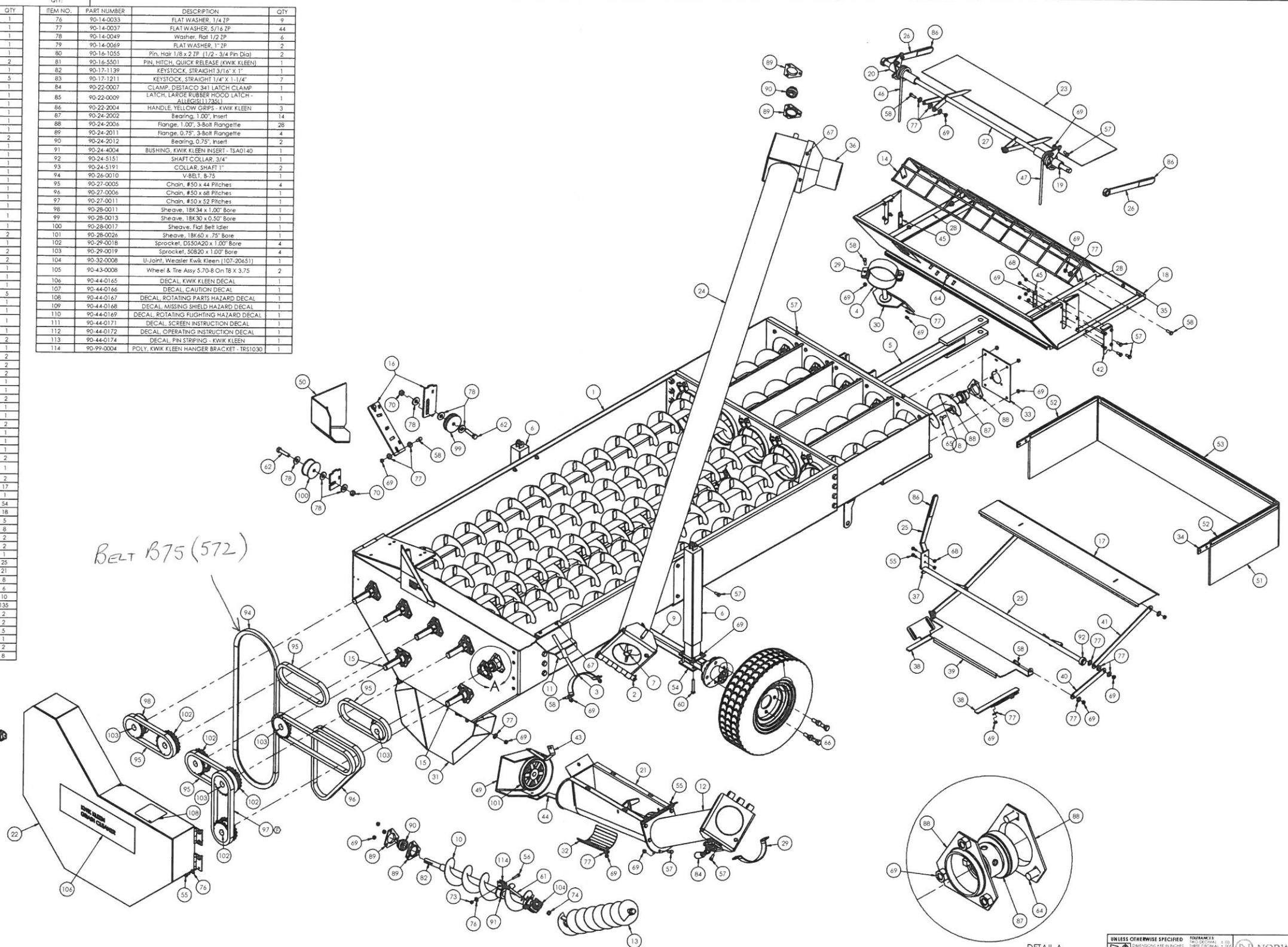


ITEM NO.	PART NUMBER	DESCRIPTION	QTY
1	45-2-00042	ASSEMBLY, MAIN FRAME - 572, 772	1
2	45-3-00020	WELDMENT, HINGE PIN - 572, 772	1
3	45-3-00021	WELDMENT, BAND CLAMP LOWER	1
4	45-3-00022	WELDMENT, CLAMP BRACKET	1
5	45-3-00023	WELDMENT, HITCH 572, 772	1
6	45-3-00024	WELDMENT, JACK ASSEMBLY - 572, 772	2
7	45-3-00027	WELDMENT, 10" AUGER FLIGHTING	1
8	45-3-00028	WELDMENT, 94" AUGER WITH TABS	5
9	45-3-00042	WELDMENT, AXLE - 572	1
10	45-3-00043	WELDMENT, BOTTOM AUGER - 572	1
11	45-3-00044	WELDMENT, BAND CLAMP PLATE - 572, 772	1
12	45-3-00045	WELDMENT, INCLINE AUGER TUBE - 572	1
13	45-3-00046	WELDMENT, INCLINED AUGER - 572	1
14	45-3-00050	WELDMENT, SAFETY GUARD - 572	1
15	45-3-00051	WELDMENT, TAILINGS AUGER - 572, 772	2
16	45-3-00052	WELDMENT, OLBER BRACKET, RH - 572	1
17	45-3-00054	WELDMENT, HOPPER CLEANOUT SLIDE - 572	1
18	45-3-00057	WELDMENT, HOPPER EXTENSION 572 PROTOTYPE	1
19	45-3-00058	WELDMENT, SPRING BRACKET - LH UPDATED	1
20	45-3-00059	WELDMENT, SPRING BRACKET - RH UPDATED	1
21	45-3-00065	WELDMENT, BOTTOM HOPPER - 572 UPDATED	1
22	45-3-00067	WELDMENT, SHIELD 572 UPDATED	1
23	45-3-00068	WELDMENT, HOPPER SLIDE - 572 UPDATED	1
24	45-3-00069	WELDMENT, 10" AUGER TUBE RH - 572, 772	1
25	45-3-00072	WELDMENT, CLEANOUT TENSION ROD - 572	1
26	45-3-00090	WELDMENT, INLET HOPPER HANDLE	2
27	45-3-00091	WELDMENT, INLET HOPPER CONTROL ROD - 572	1
28	45-4-00061	SHEET, SIDE STRAP IN CANVAS - 572, 772	2
29	45-4-00065	SHEET, UPPER BAND CLAMP	2
30	45-4-00077	PLATE, HOPPER SUPPORT BRACKET - 572, 772	1
31	45-4-00115	SHEET, FRONT CLEAN OUT BRACKET	1
32	45-4-00123	SHEET, CLEAN OUT COVER PLATE - 572, 772	1
33	45-4-00127	SHEET, BEARING MOUNT PLATE - 572, 772	5
34	45-4-00155	PLATE, SUPPORT BAR - 572	1
35	45-4-00156	SHEET, FRONT STRAP IN CANVAS - 572	1
36	45-4-00206	MOLD, 68" SQ X 4" HYPONID SCREENINGS RELEASE	1
37	45-4-00209	SHEET, CLEAN OUT ROD CLAMP	1
38	45-4-00215	SHEET, CLEAN OUT SCREENINGS DOOR CLAMP	2
39	45-4-00216	SHEET, SCREENINGS CLEAN OUT DOOR - 572	1
40	45-4-00217	SHEET, SCREENINGS LINKAGE	2
41	45-4-00218	SHEET, HOPPER LINKAGE	2
42	45-4-00259	SHEET, HOPPER SHAFT CLAMP	2
43	45-4-00268	SHEET, TOP BRACKET GUARD - 572	1
44	45-4-00269	SHEET, BOTTOM BRACKET GUARD - 572	1
45	45-4-00286	SHEET, INLET HOPPER CANVAS STRAP	2
46	45-4-00586	SPRING, INLET HOPPER - RH	1
47	45-4-00587	SPRING, INLET HOPPER - LH	1
48	45-4-00597	HUB, 4 ON 4, 2.5 PILOT - TR1081H	2
49	45-4-00598	BELT GUARD - LOWER, ROUNDED - TSAD150-1C	1
50	45-4-00599	BELT GUARD - FOUR SIDED - TSAD195C	1
51	45-4-00602	CANVAS, INLET HOPPER CANVAS - 572	1
52	45-4-00603	TRIM LOCK, HOPPER SUPPORT BAR SIDE, 16" - 572	2
53	45-4-00604	TRIM LOCK, HOPPER SUPPORT BAR FRONT, 42" - 572	1
54	45-4-00665	PLATE, JACK CLAMP PLATE - 572, 772	2
55	90-10-0397	HEX BOLT, 1/4 X 3/4 GR5 CT-2P	17
56	90-10-0397	HEX BOLT, 5/16 X 3/4 GR8 2P	54
57	90-10-0405	Bolt, Hex 5/16-18 x 1 Gr5 2P	18
58	90-10-0455	Bolt, Hex 5/16-18 x 2 Gr5 2P (Full)	5
59	90-10-0473	BOLT, HEX 5/16-18 x 2 1/2 GR5 2P	8
60	90-10-0473	Bolt, Hex 3/8-18 x 1 1/2 GR5 2P	2
61	90-10-1633	HEX BOLT, 1/2 X 2.25 GR5-CT-2P	2
62	90-10-1633	HEX BOLT, 1/2 X 2.25 GR5-CT-2P	2
63	90-10-2381	HEX BOLT, 5/8 X 5.5 GR5-CT-2P	1
64	90-10-7071	Bolt, Carriage 5/16-18 x 3/4 Gr5 2P	25
65	90-10-7076	Bolt, Carriage 5/16-18 x 1 Gr8 2P	21
66	90-10-9504	BOLT, LUG 1/2-20 X 7/8 GR5 2P	8
67	90-12-5556	TEX SCREW, 1/4 X 3/4 SELF DRILL/TAP	6
68	90-13-0066	HEX NUT, 1/4" GR5-CT-2P	10
69	90-13-0090	NUT, HEX 5/16-18 GR8 2P	135
70	90-13-0146	HEX NUT, 1/2" GR5-CT-2P	2
71	90-13-0186	HEX NUT, 5/8" GR5-CT-2P	2
72	90-13-2021	Nut, Centerlock 5/16-18 Gr5 2P	5
73	90-13-2561	LOCK NUT, NYLON 1/4" GR5-CT-2P	1
74	90-13-2577	Nut, Nylon 3/8-18 Gr5 2P	2
75	90-13-9001	NUT, RIVET 1/4-20	8
76	90-14-0033	FLAT WASHER, 1/4 2P	9
77	90-14-0037	FLAT WASHER, 5/16 2P	44
78	90-14-0049	Washer, Flat 1/2 2P	6
79	90-14-0049	FLAT WASHER, 1" 2P	2
80	90-16-1055	Pin, Hex 1/8 x 2 2P (1/2 - 3/4 Pin Dia)	2
81	90-16-5501	PIN, HITCH, QUICK RELEASE (KWIK KLEEN)	1
82	90-17-1139	KEYSTOCK, STRAIGHT 3/16" X 1"	1
83	90-17-1211	KEYSTOCK, STRAIGHT 1/4" X 1-1/4"	7
84	90-22-0007	CLAMP, DISTACO 341 LATCH CLAMP	1
85	90-22-0009	LATCH, LARGE RUBBER FOOT LATCH - ALLEGIS11736A1	1
86	90-22-2004	HANDLE, YELLOW GRIPS - KWIK KLEEN	3
87	90-24-2002	Bearing, 1.00" inner	14
88	90-24-2006	Flange, 1.00" 3-Bolt Flangette	28
89	90-24-2011	Flange, 0.75" 3-Bolt Flangette	4
90	90-24-2012	Bearing, 0.75" Insert	2
91	90-24-4004	BUSHING, KWIK KLEEN INSERT - TSAD140	1
92	90-24-5151	SHAFT COLLAR, 3/4"	1
93	90-24-5191	COLLAR, SHAFT 1"	2
94	90-26-0010	V-BELT, B-75	1
95	90-27-0005	Chain, #50 x 44 Pitches	4
96	90-27-0006	Chain, #50 x 68 Pitches	1
97	90-27-0011	Chain, #50 x 52 Pitches	1
98	90-28-0011	Sheave, 18K34 x 1.00" Bore	1
99	90-28-0013	Sheave, 18K30 x 0.50" Bore	1
100	90-28-0017	Sheave, Flat Belt Isert	1
101	90-28-0026	Sheave, 18K40 x .75" Bore	1
102	90-29-0018	Sprocket, D550A20 x 1.00" Bore	4
103	90-29-0019	Sprocket, 50B20 x 1.00" Bore	4
104	90-32-0008	U-Joint, Weasler Kwik Kleen (107-20451)	1
105	90-43-0008	Wheel & Tire Assy 5.70-8 On TB X 3.75	2
106	90-44-0165	DECAL, KWIK KLEEN DECAL	1
107	90-44-0166	DECAL, CAUTION DECAL	1
108	90-44-0167	DECAL, ROTATING PARTS HAZARD DECAL	1
109	90-44-0168	DECAL, MISSING SHIELD HAZARD DECAL	1
110	90-44-0169	DECAL, ROTATING FLIGHTING HAZARD DECAL	1
111	90-44-0171	DECAL, SCREEN INSTRUCTION DECAL	1
112	90-44-0172	DECAL, OPERATING INSTRUCTION DECAL	1
113	90-44-0174	DECAL, PIN STRIPING - KWIK KLEEN	1
114	90-99-0004	POLY, KWIK KLEEN HANGER BRACKET - TR1030	1

Belt B75 (572)



DETAIL A SCALE 1:2

#	DESCRIPTION	DATE	APPROVED
1	REPLACED 90-27-0012 WITH 90-27-0011	1/5/2016	BSW
16-088	ADDED QTY (5) 90-10-0455 & 90-13-2021	12/23/2016	JDG
16-077	REMOVED BEARING PLATES, ADDED (2) 90-17-5356	9/30/2016	JDG
16-076	REPLACED 75-60065 WITH 75-60067	9/29/2016	JDG
16-052	REPLACED QTY 21 OF 90-10-7071 WITH 90-10-2076	6/17/2016	JDG
1	RELEASE	6/17/2016	JDG
ECO	REV. DESCRIPTION	DATE	APPROVED

UNLESS OTHERWISE SPECIFIED: DIMENSIONS ARE IN INCHES. TOLERANCES: 1.00" ± .015" 1.00" - 3.00" ± .005" 3.00" - 10.00" ± .010" 10.00" - 30.00" ± .015" 30.00" - 100.00" ± .020" 100.00" - 300.00" ± .030" 300.00" - 1000.00" ± .050" 1000.00" - 3000.00" ± .075" 3000.00" - 10000.00" ± .100"

ASSEMBLY, KWIK KLEEN 572 BOLT

NOTED

DO NOT SCALE DRAWING LBS: 1104.51 SHEET 1 OF 1 45-1-00020

NORWOOD
11282 Main St SW, Hudson, ND 58547
701.782.5555

772

BIN/PALLET #	DATE:	EMPLOYEE:	JOB#:
1			
2			
3			
4			
5			
6			
7			
8			
9			
10			
11			
12			
13			
14			
15			
16			
17			
18			
19			
20			
21			
22			
23			
24			
25			
26			
27			
28			
29			
30			
31			
32			
33			
34			
35			
36			
37			
38			
39			
40			
41			
42			
43			
44			
45			
46			
47			
48			
49			
50			
51			
52			
53			
54			
55			
56			
57			
58			
59			
60			
61			
62			
63			
64			
65			
66			
67			
68			
69			
70			
71			
72			
73			
74			
75			
76			
77			
78			
79			
80			

ITEM NO.	PART NUMBER	DESCRIPTION	QTY
81	90-14-0033	FLAT WASHER, 1/4 2P	17
82	90-14-0037	FLAT WASHER, 5/16 2P	8
83	90-14-0049	Washer, Flat 1/2 2P	6
84	90-16-5501	PIN, HITCH, QUICK RELEASE (KWIK KLEEN)	1
85	90-17-1141	Keystock, Straight 3/8" x 1 - 1/2"	1
86	90-22-0007	CLAMP, DESTACO 341 LATCH CLAMP	1
87	90-22-0009	LATCH, LARGE RUBBER HOOD LATCH - ALLEGIS(I17351)	1
88	90-22-2004	HANDLE, YELLOW GRIPS - KWIK KLEEN	3
89	90-24-2002	Bearing, 1.00", Insert	20
90	90-24-2006	Flange, 1.00", 3-Bolt Flangette	40
91	90-24-2011	Flange, 0.75", 3-Bolt Flangette	4
92	90-24-2012	Bearing, 0.75", Insert	2
93	90-24-4004	BUSHING, KWIK KLEEN INSERT - TSA0140	1
94	90-24-5151	SHAFT COLLAR, 3/4"	1
95	90-24-5191	COLLAR, SHAFT 1"	3
96	90-26-0008	V-BELT, B-60	1
97	90-27-0005	Chain, #50 x 44 Pitches	6
98	90-27-0006	Chain, #50 x 68 Pitches	1
99	90-27-0011	Chain, #50 x 52 Pitches	2
100	90-28-0011	Sheave, 18K34 x 1.00" Bore	1
101	90-28-0013	Sheave, 18K30 x 0.50" Bore	1
102	90-28-0017	Sheave, Flat Belt Idler	1
103	90-28-0026	Sheave, 18K60 x .75" Bore	1
104	90-29-0018	Sprocket, DSS0A20 x 1.00" Bore	6
105	90-29-0019	Sprocket, 50B20 x 1.00" Bore	6
106	90-32-0008	U-Joint, Weasler Kwik Klean (107-20651)	1
107	90-43-0008	WHEEL & TIRE ASSEMBLY 3.70-8 ON 18 X 3.75 (KWIK KLEEN)	2
108	90-44-0165	DECAL, KWIK KLEEN DECAL	1
109	90-44-0166	DECAL, CAUTION DECAL	1
110	90-44-0167	DECAL, ROTATING PARTS HAZARD DECAL	1
111	90-44-0168	DECAL, MISSING SHIELD HAZARD DECAL	1
112	90-44-0169	DECAL, ROTATING FLIGHTING HAZARD DECAL	1
113	90-44-0171	DECAL, SCREEN INSTRUCTION DECAL	1
114	90-44-0172	DECAL, OPERATING INSTRUCTION DECAL	1
115	90-44-0174	DECAL, PIN STRIPING - KWIK KLEEN	1
116	90-99-0004	POLY, KWIK KLEEN HANGER BRACKET - TRS1030	1
117	90-99-0016	Bumper, Recess 1/2 x 1/4 - McMaster 9540K841	2

90- Belt B60 (772)

