

2218

Page 1 to 4 – Base Model

Page 5 – Hitch

Page 6 to 8 – Hopper (Open Transition)

Page 9 – Axle

Page 10 – Discharge

Page 11 – Straight Discharge Option

Page 12 – Round Discharge Option

Page 13 & 14 – Gas Drive w/Counter Shaft

Page 15 & 16 – Gas Drive Direct

Page 17 to 19 – Electric Drive

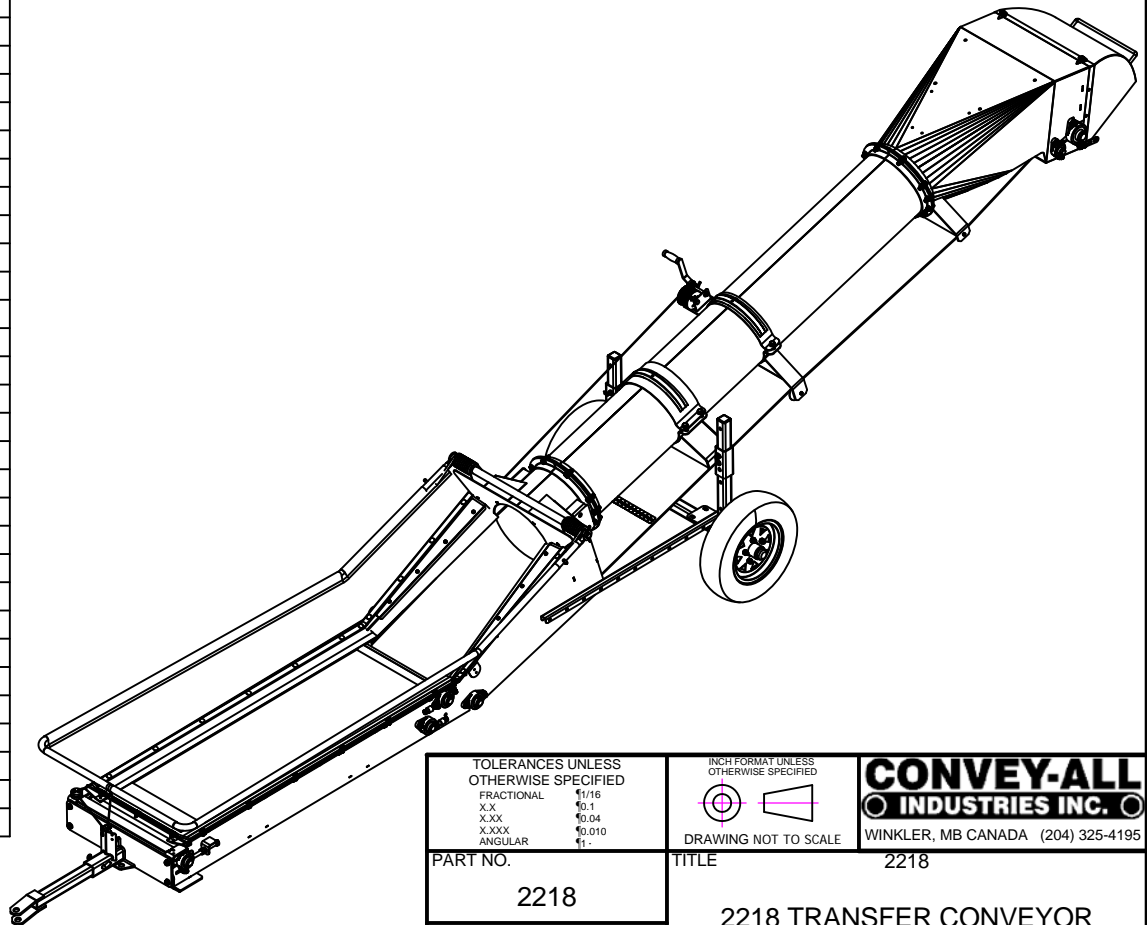
Page 20 – Caster Wheel Axle Optional

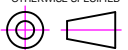
Page 21 – Ball Receiver 2-5/16" Optional

Page 22 – Yard Wheel Caster Optional

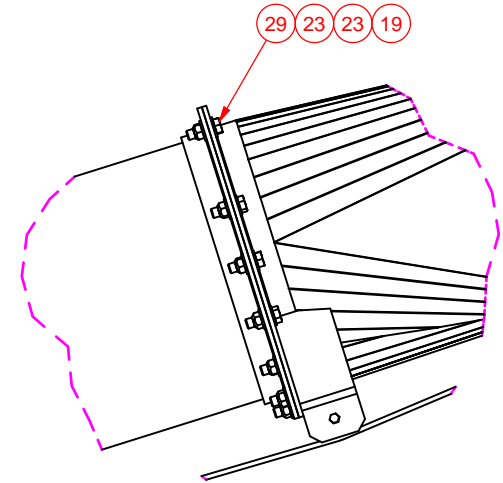
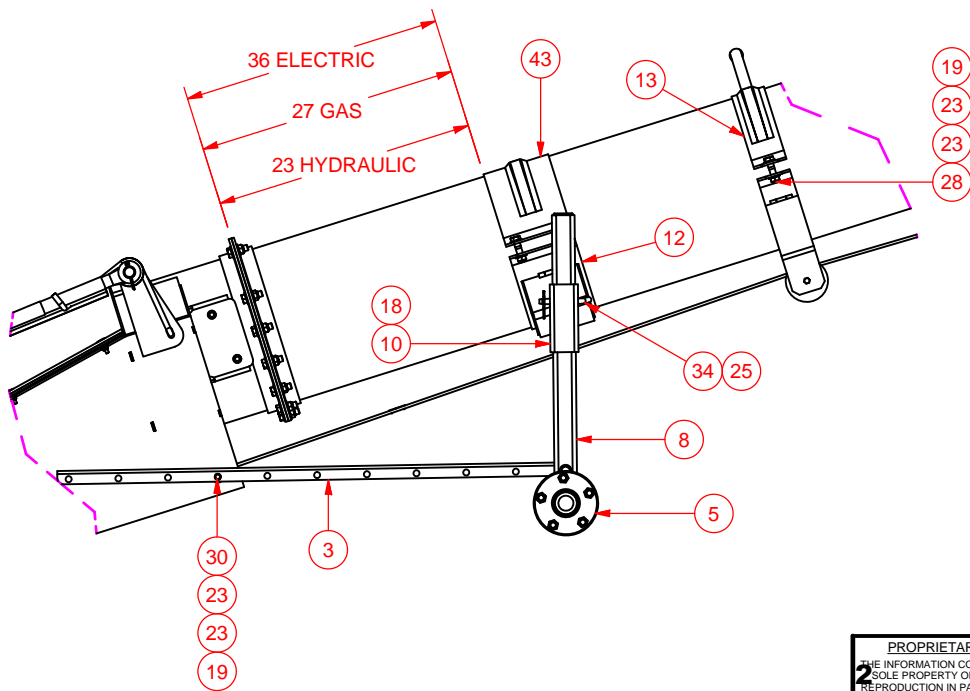
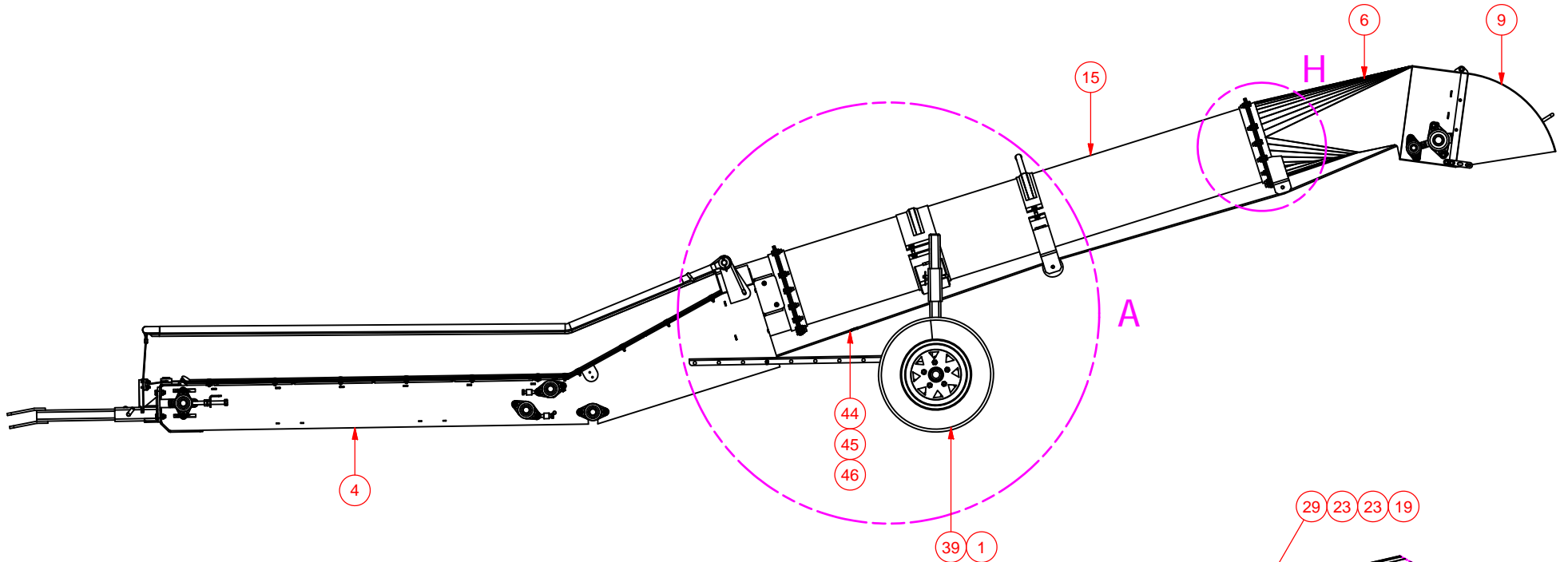
ITEM	PART #	DESCRIPTION	QTY
1	WN-0000-0007	WHEEL NUT - 1/2"-20 UNF - ZINC PLTD	10
2	650505019	HOPPER HITCH - OPEN TRANSITION (22" BELT)	1
3	650119818	UNDERCARRIAGE BRACE CHANNEL	2
4	504221	OPEN TRANSITION HOPPER	1
5	503421	UNDERCARRIAGE AXLE WITH HUBS	1
6	503240	DISCHARGE	1
7	501113	RETURN ROLLER FL - 1-7/8 x 23-11/16 x 7/16	1
8	404423	TOWABLE UNDERCARRIAGE BOLT ON UPRIGHT	2
9	403736	TAPERED DISCHARGE HOOD	1
10	401179	UNDERCARRIAGE MOUNT - GUIDE TUBE	2
11	401178	HITCH INSERT TUBE	1
12	400148	UNDERCARRIAGE MOUNT SADDLE	1
13	400122	WINCH MOUNT	1
14	400096	RETURN ROLLER BRACKET	1
15	400037	TUBE - 12GA x 14D x 90L	1
16	2115000004	PLASTIC PLUG - SQUARE RIBBED - 1 3/4" BLACK	2
17	1624080007	SPRING LOCK WASHER - 3/8" - ZINC PLTD	2
18	1624070006	CONE LOCK NUT - 5/8"-11 UNC - ZINC PLTD	2
19	1624070003	CONE LOCK NUT - 1/2"-13 UNC - ZINC PLTD	44
20	1624070001	CONE LOCK NUT - 1/4"-20 UNC - ZINC PLTD	7
21	1617070004	U.S.S. FLAT WASHER - 3/8" - ZINC PLTD	5
22	1617070002	U.S.S. FLAT WASHER - 1/4" - ZINC PLTD	12
23	1613070006	S.A.E. FLAT WASHER - 1/2" - ZINC PLTD	90
24	1612000021	BLIND RIVET NUT - 3/8-16 UNC X 0.027 - 0.150 - STEEL	2
25	1611000005	PIN - HAIR - #10 - 1/8	3
26	1611000002	PIN - BEND ARM - 5/8" x 3"	1
27	1602070254	HEX BOLT - 1/2"-13 X 3" UNC - ZINC PLTD - GRADE 5	2
28	1602070250	HEX BOLT - 1/2"-13 X 2" UNC - ZINC PLTD - GRADE 5	6
29	1602070248	HEX BOLT - 1/2"-13 X 1 1/2" UNC - ZINC PLTD - GRADE 5	26
30	1602070246	HEX BOLT - 1/2"-13 X 1 1/4" UNC - ZINC PLTD - GRADE 5	10
31	1602070124	HEX BOLT - 3/8"-16 X 1" UNC - ZINC PLTD - GRADE 5	2
32	1602070011	HEX BOLT - 1/4"-20 X 1 3/4" UNC - ZINC PLTD - GRADE 5	6
33	1602070004	HEX BOLT - 1/4"-20 X 3/4" UNC - ZINC PLTD - GRADE 5	1
34	16-1100-0001	PIN - BEND ARM - 1/2" x 3"	2
35	16-0307-0124	CARRIAGE BOLT - 3/8" x 1" UNC - PLTD - GRD 5	3
36	1518000004	CONE LOCK NUT - 3/8"-16 UNC - ZINC PLTD	3
37	1211000014	CABLE GALVANIZED 1/8" X 15'6	1
38	12-1900-0004	LIGHT DUTY WINCH	1
39	12-1801-0031	5 BOLT RIM 1 AND TIRE 5.30 - 12	2
40	12-1100-0020	Cable Sleeve - Swaged - 1/8"	1
41	116291	CABLE GUIDE BACK PLATE	3
42	116211	CABLE GUIDE	3
43	101080	TUBE CLAMP - TYPE 6	1
44	1003050011	CRESCENT RUBBER BELT 22" - 2 PLY - BARE MOR (?-?)	1
45	1001130001	ALIGATOR LACING 1/8 - 3/16" x 22 LINKS	1
46	1001000001	ALIGATOR BELT LACING PIN NYLON x 21 1/2"	1

DISCHARGE HOOD OPTIONS			
ITEM	PART #	DESCRIPTION	QTY
1	650505020	SWIVEL DISCHARGE HOOD AND RING	1
2	404063	STRAIGHT DISCHARGE HOOD	1
3	404060	ROUND SPOUT DISCHARGE HOOD	1



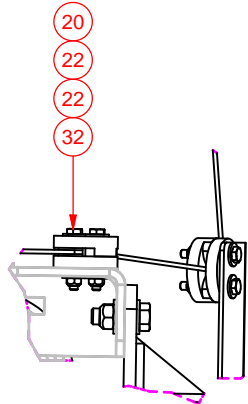
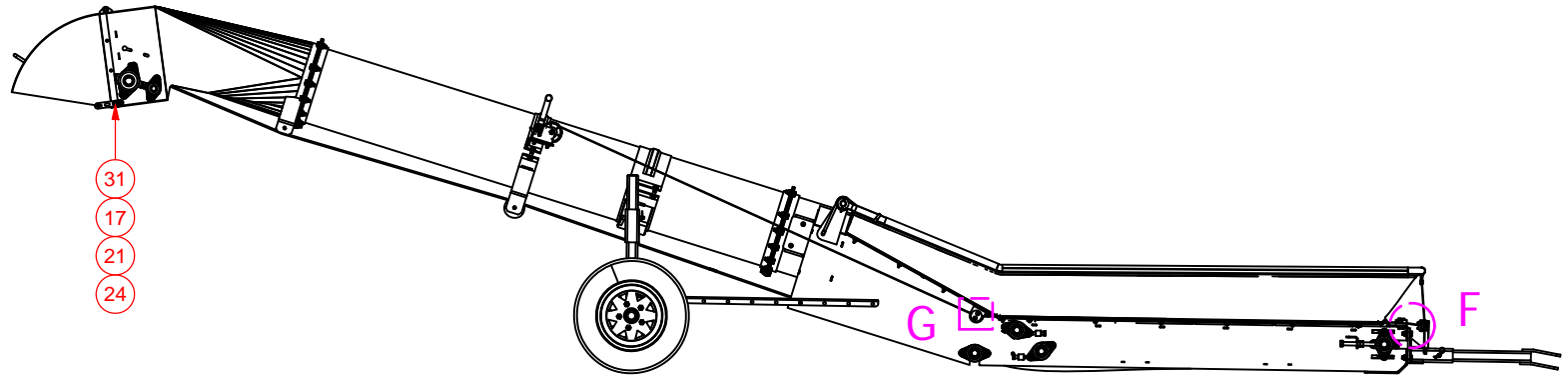
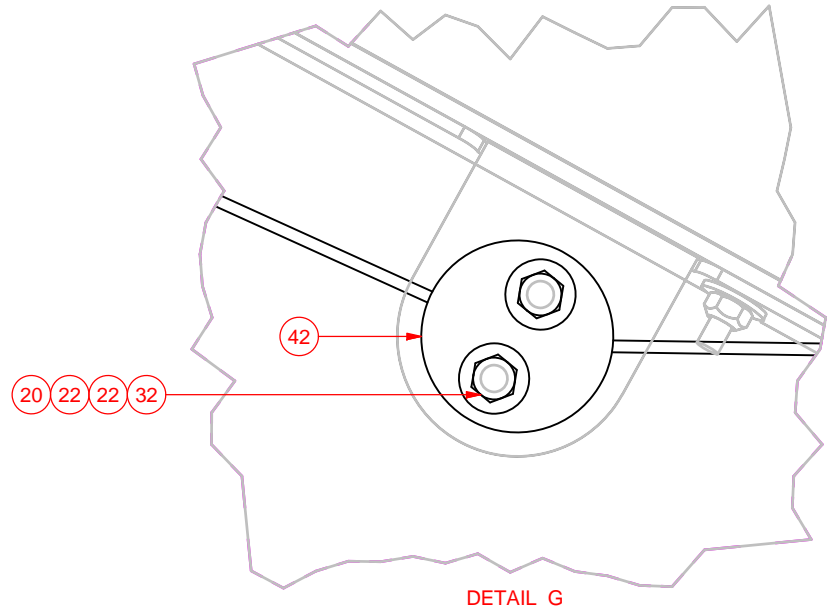
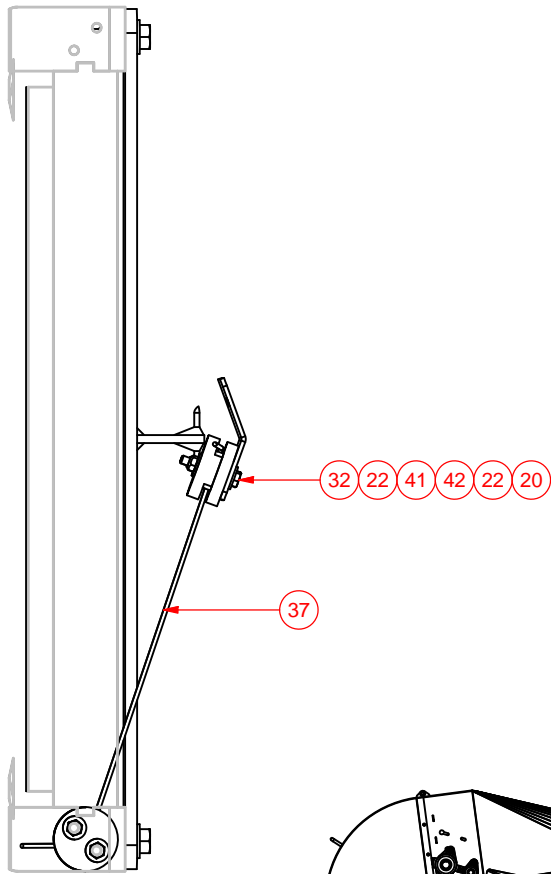
TOLERANCES UNLESS OTHERWISE SPECIFIED FRACTIONAL 1/16 X.X 0.1 X.XX 0.04 X.XXX 0.010 ANGULAR 1°		INCH FORMAT UNLESS OTHERWISE SPECIFIED  DRAWING NOT TO SCALE		CONVEY-ALL INDUSTRIES INC. WINKLER, MB CANADA (204) 325-4195	
PART NO. 2218		TITLE 2218 TRANSFER CONVEYOR			
CREATED: 4/4/2006					
DRAWN BY: PU					
DESIGNED BY: EW		MATERIAL		SQ. IN. REV. #	
REVISED BY: AS					
REVISED: 3/8/2017		WT: 1069.905 lbmass		REF #:	

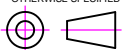
PROPRIETARY AND CONFIDENTIAL
 THE INFORMATION CONTAINED IN THIS DRAWING IS THE SOLE PROPERTY OF CONVEY-ALL INDUSTRIES. ANY REPRODUCTION IN PART OR AS A WHOLE WITHOUT THE WRITTEN PERMISSION OF CONVEY-ALL IS PROHIBITED.



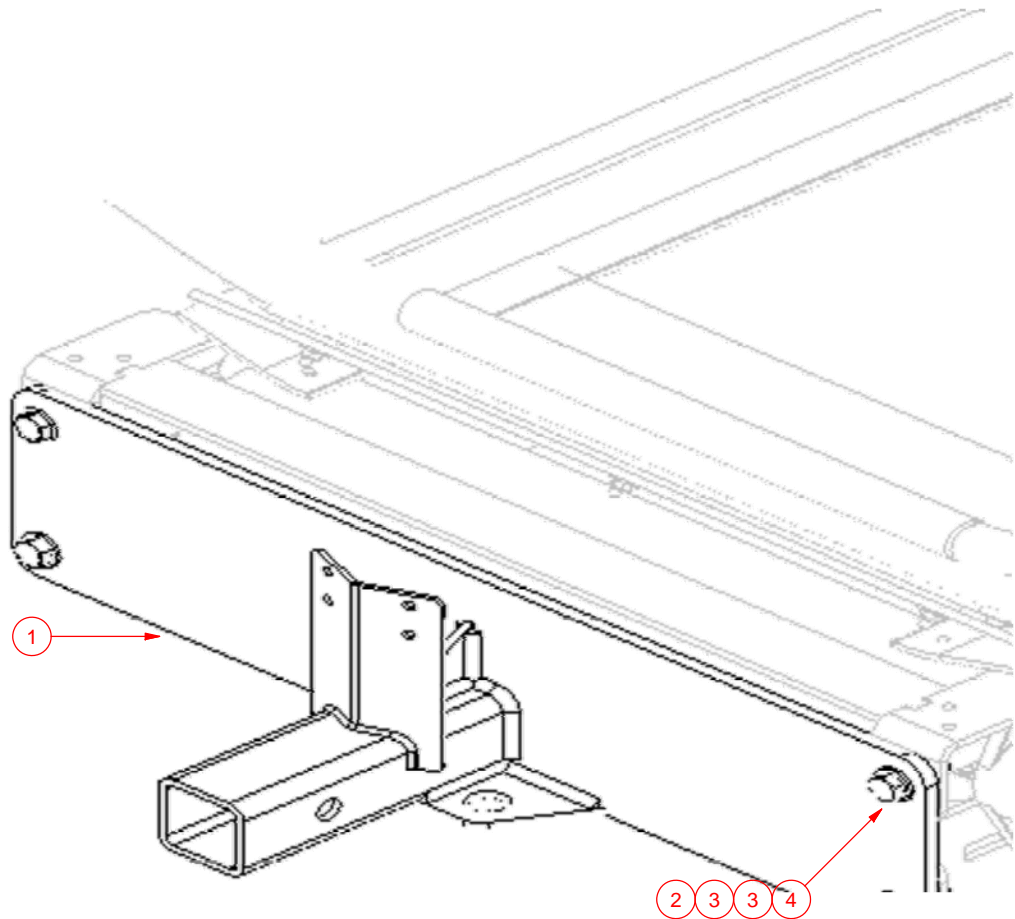
DETAIL H

TOLERANCES UNLESS OTHERWISE SPECIFIED FRACTIONAL 1/16 X.X 0.1 X.XX 0.04 X.XXX 0.010 ANGULAR 1°	INCH FORMAT UNLESS OTHERWISE SPECIFIED 	CONVEY-ALL INDUSTRIES INC. WINKLER, MB CANADA (204) 325-4195
PART NO. 2218	TITLE 2218	2218 TRANSFER CONVEYOR
CREATED: 4/4/2006	DRAWN BY: PU	DESIGNED BY: EW
REVISED BY: AS	REVISED: 3/8/2017	MATERIAL: <input type="text"/>
WT: N/A	REF #:	SQ. IN. <input type="text"/>
PROPRIETARY AND CONFIDENTIAL THE INFORMATION CONTAINED IN THIS DRAWING IS THE SOLE PROPERTY OF CONVEY-ALL INDUSTRIES. ANY REPRODUCTION IN PART OR AS A WHOLE WITHOUT THE WRITTEN PERMISSION OF CONVEY-ALL IS PROHIBITED.		REV. # <input type="text"/>
SHEET: 2 OF 4		REV. # <input type="text"/>


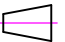


TOLERANCES UNLESS OTHERWISE SPECIFIED FRACTIONAL 1/16 X.X 0.1 X.XX 0.04 X.XXX 0.010 ANGULAR 1°		INCH FORMAT UNLESS OTHERWISE SPECIFIED 		CONVEY-ALL INDUSTRIES INC. WINKLER, MB CANADA (204) 325-4195	
PART NO. 2218		TITLE 2218			
CREATED: 4/4/2006		2218 TRANSFER CONVEYOR			
DRAWN BY: PU		DESIGNED BY: EW		MATERIAL	
REVISED BY: AS		REVISIONS		SQ. IN. REV. #	
REVISED: 3/8/2017		WT: N/A		REF #:	

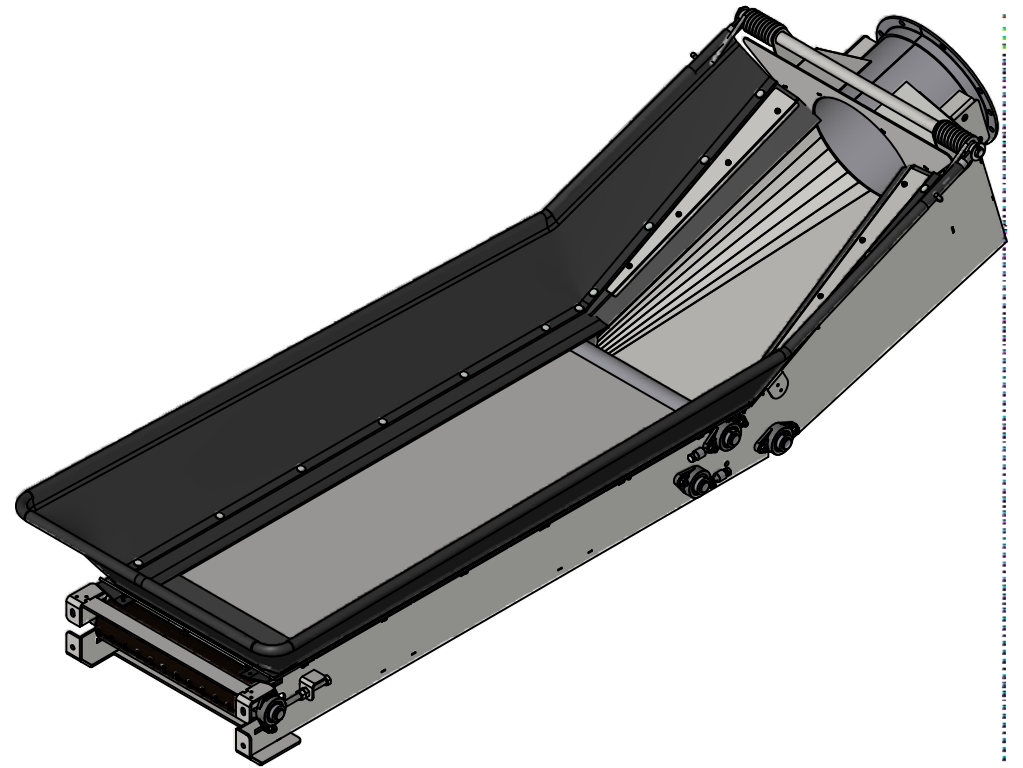
PROPRIETARY AND CONFIDENTIAL
 THE INFORMATION CONTAINED IN THIS DRAWING IS THE SOLE PROPERTY OF CONVEY-ALL INDUSTRIES. ANY REPRODUCTION IN PART OR AS A WHOLE WITHOUT THE WRITTEN PERMISSION OF CONVEY-ALL IS PROHIBITED.



ITEM	PART #	DESCRIPTION	QTY
1	650405836	S-NECK HOPPER HITCH (22" BELT)	1
2	1624070003	CONE LOCK NUT - 1/2"-13 UNC - ZINC PLTD	4
3	1613070006	S.A.E. FLAT WASHER - 1/2" - ZINC PLTD	8
4	1602070248	HEX BOLT - 1/2"-13 X 1 1/2" UNC - ZINC PLTD - GRADE 5	4

TOLERANCES UNLESS OTHERWISE SPECIFIED FRACTIONAL 1/16 X.X 0.1 X.XX 0.04 X.XXX 0.010 ANGULAR 1°		INCH FORMAT UNLESS OTHERWISE SPECIFIED   DRAWING NOT TO SCALE		CONVEY-ALL INDUSTRIES INC. WINKLER, MB CANADA (204) 325-4195	
PART NO. 650505019		TITLE HOPPER HITCH - OPEN TRANSITION (22" BELT)			
CREATED: 2/28/2017 DRAWN BY: AS		TC-22			
DESIGNED BY: FK		MATERIAL		SQ. IN. REV. # A	
REVISED:		WT: N/A		REF #: SHEET: 1 OF 1	

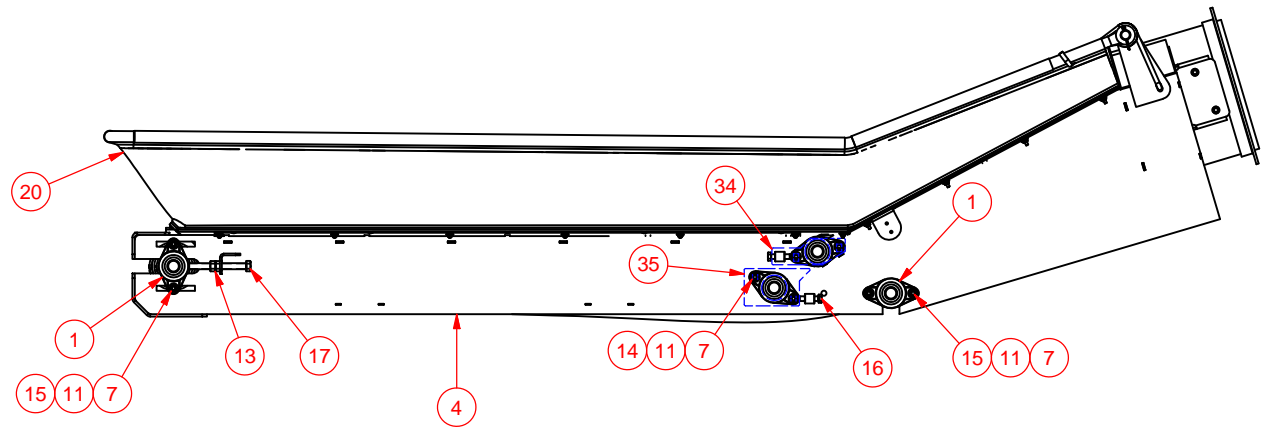
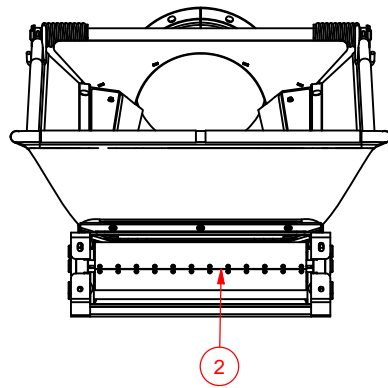
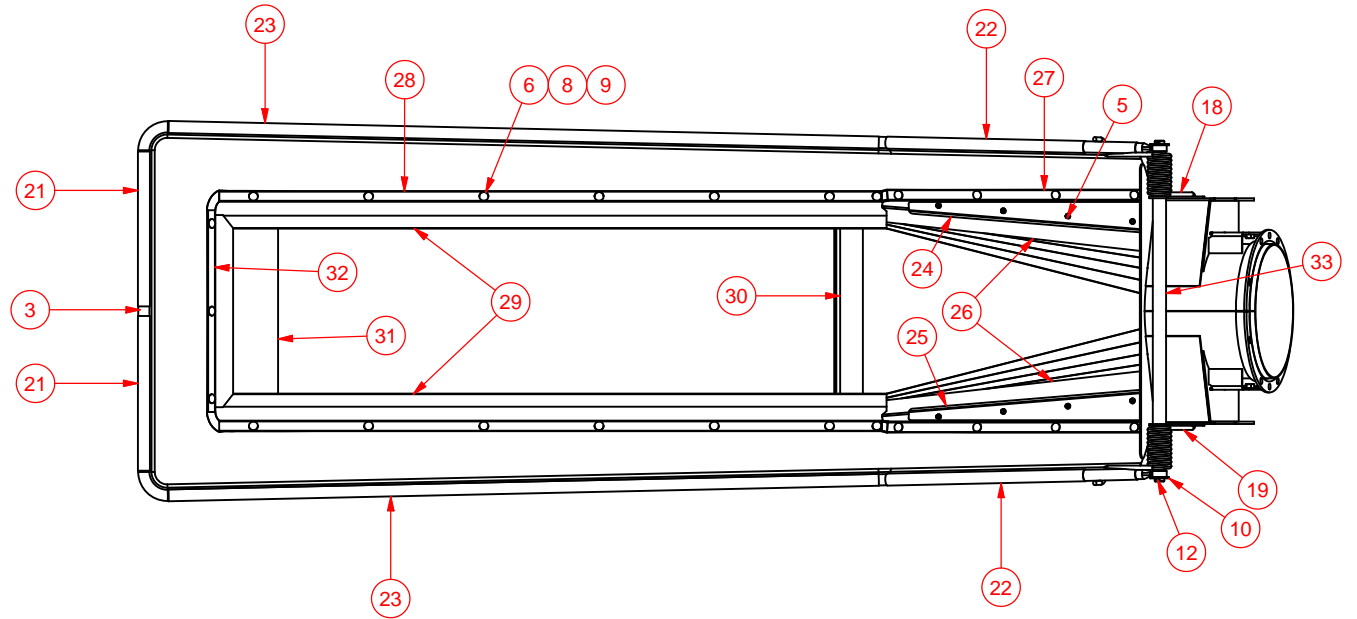
PROPRIETARY AND CONFIDENTIAL
 ALL INFORMATION CONTAINED IN THIS DRAWING IS THE SOLE PROPERTY OF CONVEY-ALL INDUSTRIES. ANY REPRODUCTION IN PART OR AS A WHOLE WITHOUT THE WRITTEN PERMISSION OF CONVEY-ALL IS PROHIBITED.



ITEM	PART #	DESCRIPTION	QTY
1	B-0000-0010	STANDARD BEARING - FL206 - 1 1/4" SHAFT - COMPLETE	8
2	504222	ROLLER - TYPE 4 1/2 X 22 - 1 1/4 X 27 1/2	1
3	405579	HOPPER HOOP	1
4	405576	OPEN TRANSITION HOPPER	1
5	24-2200-0002	SELF TAPPING SCREW - 1/4" x 3/4" - ZINC PLTD	8
6	16-3310-0002	ELEVATOR BOLT - 1/4-20 UNC - 1 1/4" - ZINC PLTD	25
7	16-2407-0003	CONE LOCK NUT - 1/2"-13 UNC - ZINC PLTD	16
8	16-2407-0001	CONE LOCK NUT - 1/4"-20 UNC - ZINC PLTD	25
9	16-1707-0002	U.S.S. FLAT WASHER - 1/4" - ZINC PLTD	25
10	16-1307-0011	S.A.E. FLAT WASHER - 1" - ZINC PLTD	2
11	16-1307-0006	S.A.E. FLAT WASHER - 1/2" - ZINC PLTD	16
12	16-1100-0003	COTTER PIN - 3/16" x 2"	2
13	16-0907-0007	HEX NUT - 5/8"-11 UNC - ZINC PLTD - GRADE 5	2
14	16-0307-0375	CARRIAGE BOLT - 1/2" x 2" UNC - PLTD - GRD 5	8
15	16-0307-0248	CARRIAGE BOLT - 1/2" x 1 1/2" UNC - PLTD - GRD 5	8
16	16-0207-0251	HEX BOLT - 1/2" x 2" UNC - ZINC PLTD - GRD 5 FULL THREAD	4
17	16-0207-0035	HEX BOLT - 5/8" x 6" UNC - ZINC PLTD - GRD 5 FULL THREAD	2
18	12-2800-0010	COLLAPSIBLE HOPPER SPRING - RIGHT	1
19	12-2800-0009	COLLAPSIBLE HOPPER SPRING - LEFT	1
20	12-2400-0019	OPEN TRANSITION HOPPER CANVAS	1
21	118831	HOPPER CANVAS PROTECTOR - 16-1/8"	2
22	118733	HOPPER CANVAS PROTECTOR - 22-1/8"	2
23	118732	HOPPER CANVAS PROTECTOR - 74"	2
24	118711	FLASHING HOLD DOWN - RIGHT	1
25	118710	FLASHING HOLD DOWN - LEFT	1
26	118709	HOPPER TRANSITION FLASHING	2
27	118708	CANVAS INSERT - TRANSITION	2
28	118707	CANVAS INSERT - SIDE	2
29	118706	HOPPER SIDE FLASHING	2
30	118705	ROLLER - TYPE 2 3/8 X 22 3/4 - 1 1/4 X 27 1/2	3
31	118704	HOPPER TAIL FLASHING	1
32	118703	CANVAS INSERT - TAIL	1
33	118699	HOPPER HOOP MOUNT BAR	1
34	118389	TOP TRANSITION ROLLER GUIDE PLATE	2
35	118385	BOTTOM TRANSITION ROLLER GUIDE PLATE	2

TOLERANCES UNLESS OTHERWISE SPECIFIED FRACTIONAL ±1/16 XX ±0.1 XXX ±0.04 XXXX ±0.010 ANGULAR ±1°		INCH FORMAT UNLESS OTHERWISE SPECIFIED 		CONVEY-ALL INDUSTRIES INC. WINKLER, MB CANADA (204) 325-4195
PART NO. 504221 CREATED: 12/01/2016 DRAWN BY: FK		DRAWING NOT TO SCALE TITLE TC-22 OPEN TRANSITION HOPPER		
DESIGNED BY: FK REVISED BY: AS REVISED: 28/09/2016		MATERIAL REV. #		REF #: SHEET: 1 OF 3
WT: N/A		REF #:		SHEET: 1 OF 3

PROPRIETARY AND CONFIDENTIAL
 THE INFORMATION CONTAINED IN THIS DRAWING IS THE SOLE PROPERTY OF CONVEY-ALL INDUSTRIES. ANY REPRODUCTION IN PART OR AS A WHOLE WITHOUT THE WRITTEN PERMISSION OF CONVEY-ALL IS PROHIBITED.



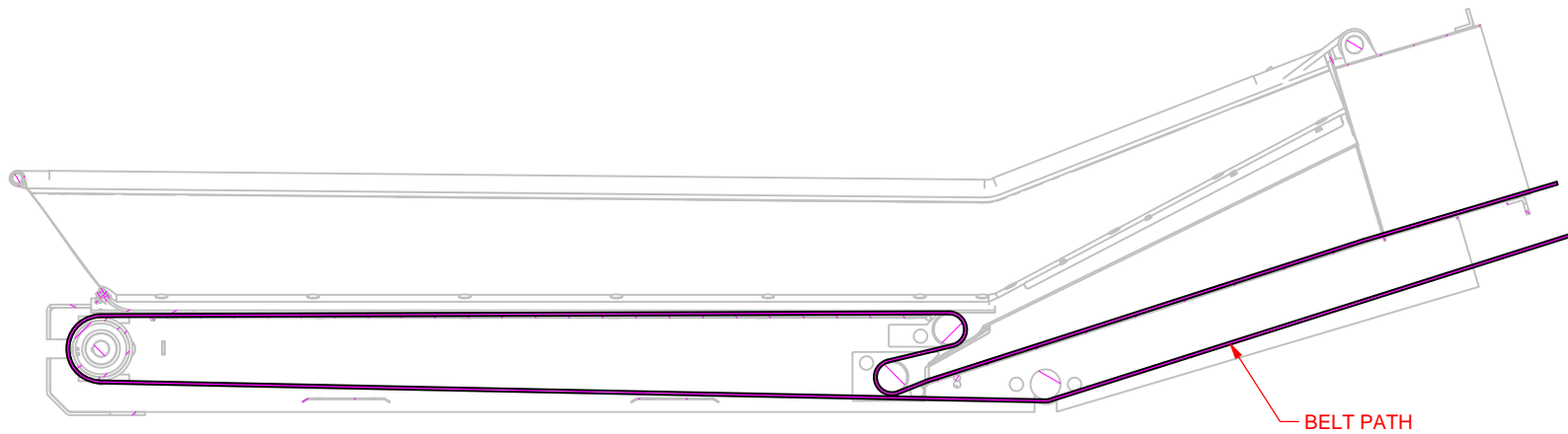
TOLERANCES UNLESS OTHERWISE SPECIFIED	
FRACTIONAL	±1/16
X.X	±0.1
X.XX	±0.04
X.XXX	±0.010
ANGULAR	±1°

INCH FORMAT UNLESS OTHERWISE SPECIFIED	
DRAWING NOT TO SCALE	

CONVEY-ALL INDUSTRIES INC.
 WINKLER, MB CANADA (204) 325-4195

PART NO. 504221	TITLE TC-22 OPEN TRANSITION HOPPER	REV. #
CREATED: 12/01/2016	DESIGNED BY: FK	MATERIAL
DRAWN BY: FK	REVISOR BY: AS	REF #:
REVISOR BY: AS	WT: N/A	SHEET: 2 OF 3

7
 PROPRIETARY AND CONFIDENTIAL
 THE INFORMATION CONTAINED IN THIS DRAWING IS THE SOLE PROPERTY OF CONVEY-ALL INDUSTRIES. ANY REPRODUCTION IN PART OR AS A WHOLE WITHOUT THE WRITTEN PERMISSION OF CONVEY-ALL IS PROHIBITED.



TOLERANCES UNLESS OTHERWISE SPECIFIED	
FRACTIONAL	±1/16
X.X	±0.1
X.XX	±0.04
X.XXX	±0.010
ANGULAR	±1°

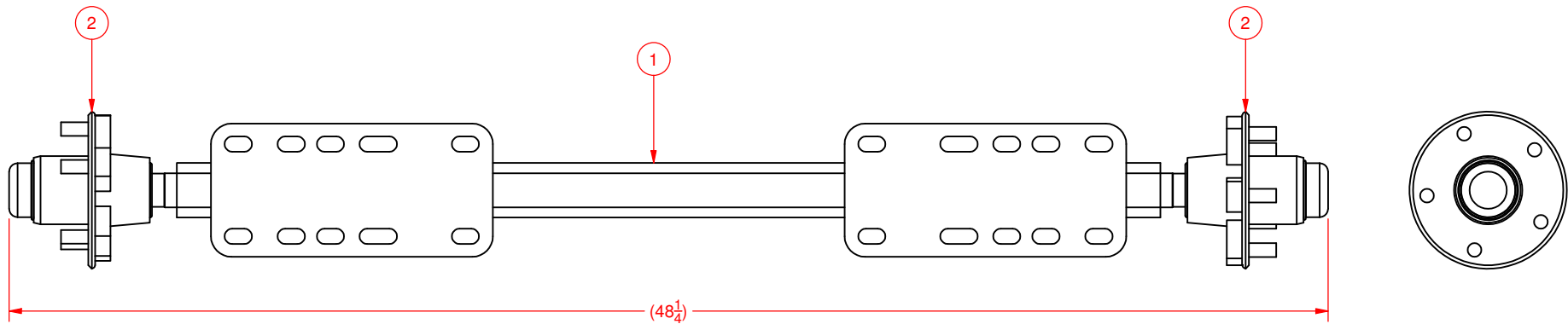
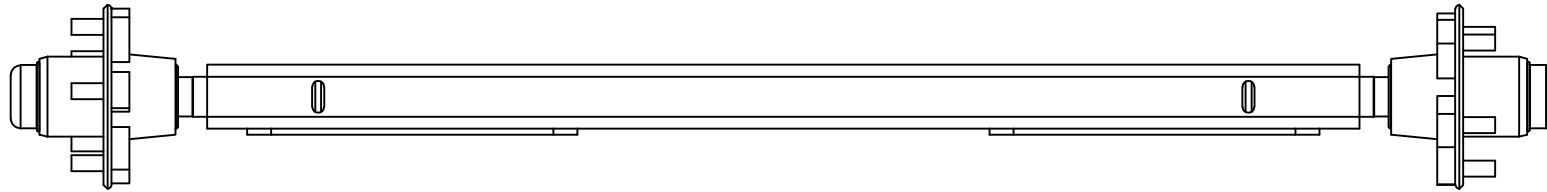
INCH FORMAT UNLESS OTHERWISE SPECIFIED	
DRAWING NOT TO SCALE	

CONVEY-ALL INDUSTRIES INC.
 WINKLER, MB CANADA (204) 325-4195

PART NO.	504221
CREATED:	12/01/2016
DRAWN BY:	FK
DESIGNED BY:	FK
REVISED BY:	AS
REVISED:	28/09/2016

TITLE	TC-22
OPEN TRANSITION HOPPER	
MATERIAL	REV. #
WT: N/A	REF #: SHEET: 3 OF 3

PROPRIETARY AND CONFIDENTIAL
 THE INFORMATION CONTAINED IN THIS DRAWING IS THE
 SOLE PROPERTY OF CONVEY-ALL INDUSTRIES. ANY
 REPRODUCTION IN PART OR AS A WHOLE WITHOUT THE
 WRITTEN PERMISSION OF CONVEY-ALL IS PROHIBITED.

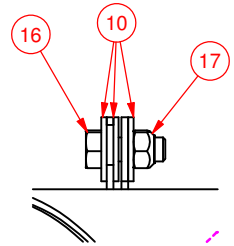
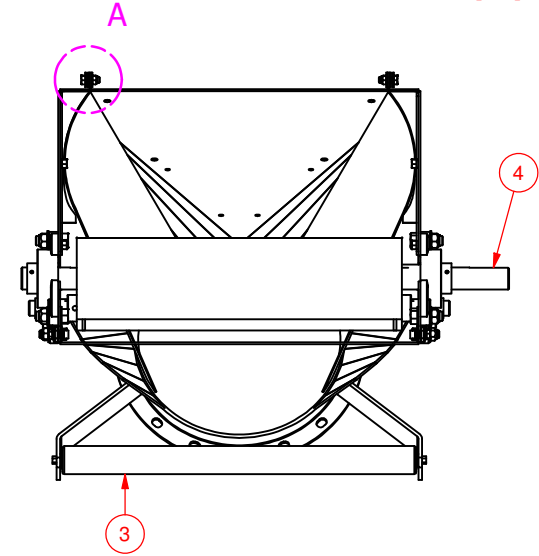
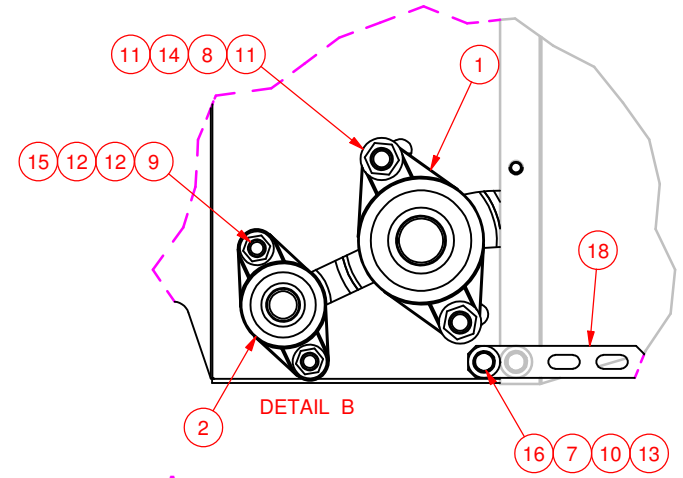
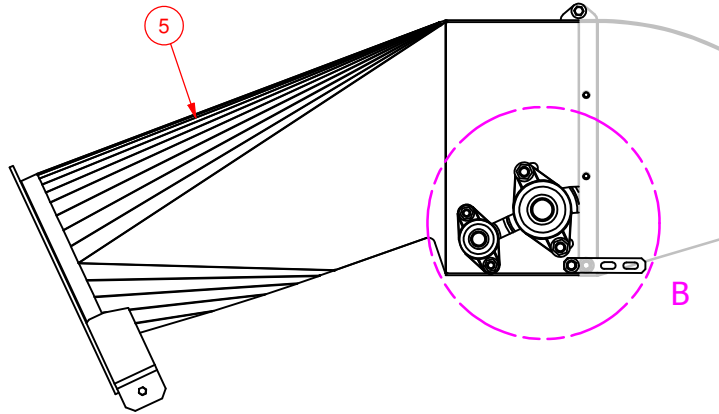
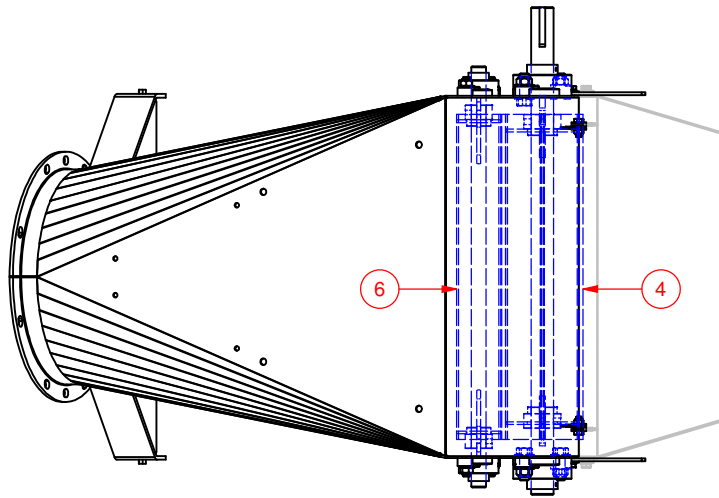


ITEM	PART #	DESCRIPTION	QTY
1	404422	UNDERCARRIAGE AXLE	1
2	12-2300-0012	DEXTER 5 BOLT HUB & BEARING	2

9

PROPRIETARY AND CONFIDENTIAL
 THE INFORMATION CONTAINED IN THIS DRAWING IS THE
 SOLE PROPERTY OF CONVEY-ALL INDUSTRIES. ANY
 REPRODUCTION IN PART OR AS A WHOLE WITHOUT THE
 WRITTEN PERMISSION OF CONVEY-ALL IS PROHIBITED.

TOLERANCES UNLESS OTHERWISE SPECIFIED FRACTIONAL ±1/16 X.X ±0.1 X.XX ±0.04 X.XXX ±0.010 ANGULAR ±1°		INCH FORMAT UNLESS OTHERWISE SPECIFIED DO NOT SCALE DRAWING		CONVEY-ALL INDUSTRIES INC. WINKLER, MB CANADA (204) 325-4195
PART NO. 503421		TITLE TC-COMMON UNDERCARRIAGE AXLE WITH HUBS		
CREATED: 24/04/2013		MATERIAL		REF NO.
DESIGNED: FK		SCALE: NTS		WT: 34.2 lbmass
DRAWN: FK		SHEET: 1 OF 1		

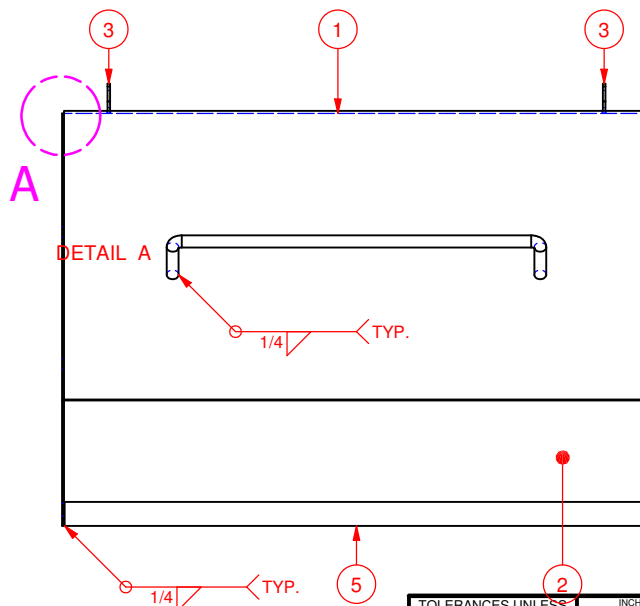
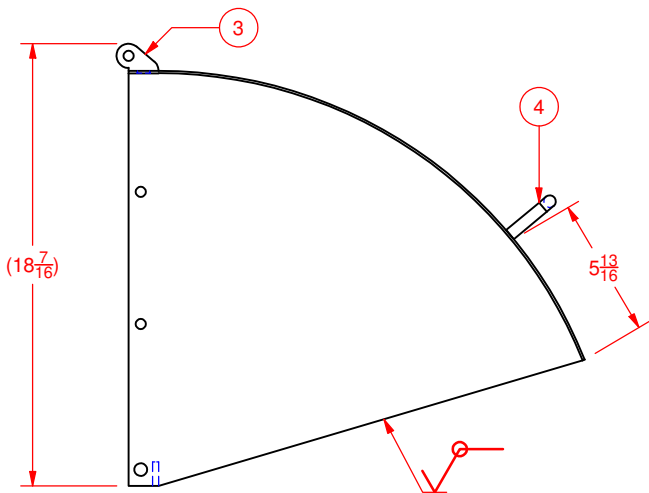
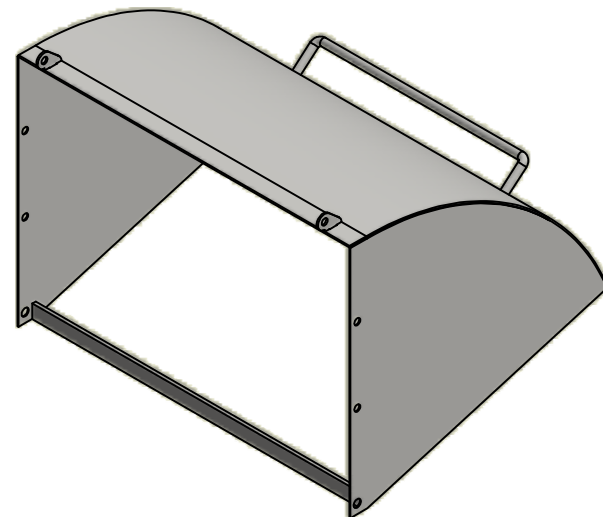
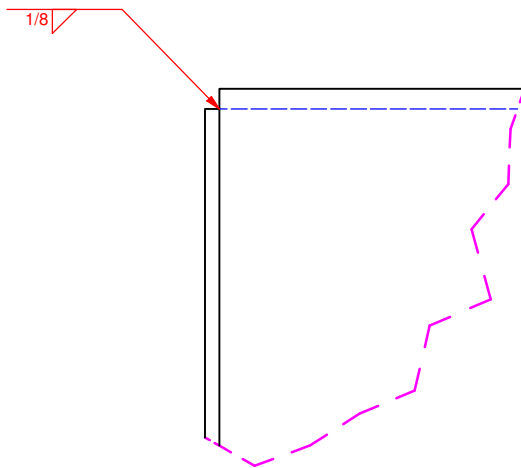
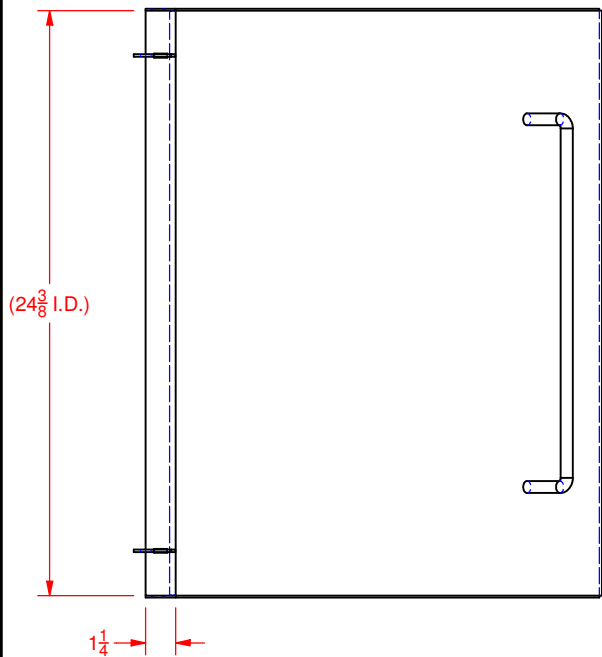


NOTE: FOR 13 HP GAS ENGINE, MOUNT DRIVE ROLLER FLIPPED SO KEYWAY IS ON OPPOSITE SIDE.

ITEM	PART #	DESCRIPTION	QTY
1	B-0000-0020	BEARING - FL208 - 1 1/2" SHAFT - COMPLETE	2
2	B-0000-0005	BEARING - FL205 - 1" SHAFT - COMPLETE	2
3	500021	RETURN ROLLER - 7/16 x 23-11/16 x 25-3/8	1
4	500015	ROLLER - TYPE 5 x 22L x 1.5	1
5	403735	DISCHARGE BODY	1
6	400084	ROLLER - TYPE 3 x 22L x 1	1
7	16-2408-0007	SPRING LOCK WASHER - 3/8" - ZINC PLTD	2
8	16-2407-0006	CONE LOCK NUT - 5/8"-11 UNC - ZINC PLTD	4
9	16-2407-0003	CONE LOCK NUT - 1/2"-13 UNC - ZINC PLTD	4
10	16-1707-0004	U.S.S. FLAT WASHER - 3/8" - ZINC PLTD	8
11	16-1307-0008	S.A.E. FLAT WASHER - 5/8" - ZINC PLTD	8
12	16-1307-0006	S.A.E. FLAT WASHER - 1/2" - ZINC PLTD	8
13	16-1200-0021	THREADED INSERT RIVET - 3/8-16 UNC - .027 TO .150 GRIP	2
14	16-0207-0367	HEX BOLT - 5/8" x 1 3/4" UNC - ZINC PLTD - GRD 5	4
15	16-0207-0248	HEX BOLT - 1/2" x 1 1/2" UNC - ZINC PLTD - GRD 5	4
16	16-0207-0124	HEX BOLT - 3/8" x 1" UNC - ZINC PLTD - GRD 5	4
17	15-1800-0004	CONE LOCK NUT - 3/8"-16 UNC - ZINC PLTD	2
18	100059	DISCHARGE SPOUT ADJUSTMENT TAB	2

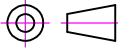
TOLERANCES UNLESS OTHERWISE SPECIFIED FRACTIONAL ±1/16 X.X ±0.1 X.XX ±0.04 X.XXX ±0.010 ANGULAR ±1°		INCH FORMAT UNLESS OTHERWISE SPECIFIED 		CONVEY-ALL INDUSTRIES INC. WINKLER, MB CANADA (204) 325-4195
PART NO. 503240		TITLE UBSNH-14 DISCHARGE		
CREATED: 14/07/2011		REVISIONS: 07/06/2012		REF NO.
DESIGNED: TS		MATERIAL		
DRAWN: FK		SCALE: NTS		WT: N/A
				SHEET: 1 OF 1

PROPRIETARY AND CONFIDENTIAL
 THE INFORMATION CONTAINED IN THIS DRAWING IS THE SOLE PROPERTY OF CONVEY-ALL INDUSTRIES. ANY REPRODUCTION IN PART OR AS A WHOLE WITHOUT THE WRITTEN PERMISSION OF CONVEY-ALL IS PROHIBITED.



ITEM	PART #	DESCRIPTION	QTY
1	110319	DISCHARGE SPOUT TOP	1
2	110318	DISCHARGE SPOUT SIDE	2
3	108979	DISCHARGE HOOD HINGE PLATE	2
4	101067	DISCHARGE SPOUT HANDLE	1
5	101066	DISCHARGE SPOUT CROSS BRACE	1

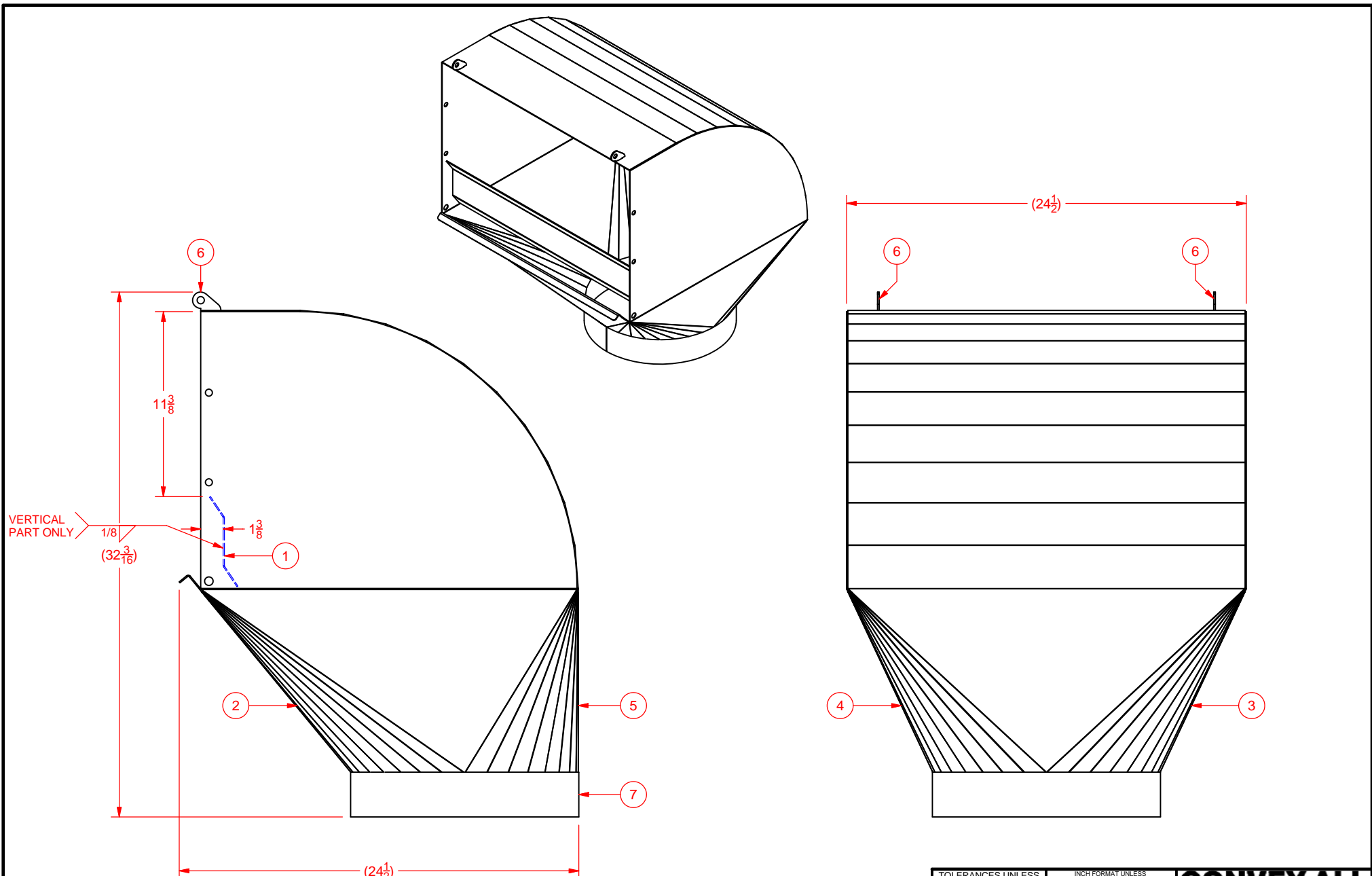
TOLERANCES UNLESS OTHERWISE SPECIFIED
 FRACTIONAL ±1/16
 X.X ±0.1
 X.XX ±0.04
 X.XXX ±0.010
 ANGULAR ±1°

INCH FORMAT UNLESS OTHERWISE SPECIFIED

 DO NOT SCALE DRAWING

CONVEY-ALL INDUSTRIES INC.
 WINKLER, MB CANADA (204) 325-4195

PART NO. 404063	TITLE TCH-14 STRAIGHT DISCHARGE HOOD	REF NO.
CREATED: 11/06/2012	MATERIAL	SCALE: NTS
REVISED: 30/07/2012	WT: 29.5 lbmass	SHEET: 1 OF 1
DESIGNED: TS		
DRAWN: TF		

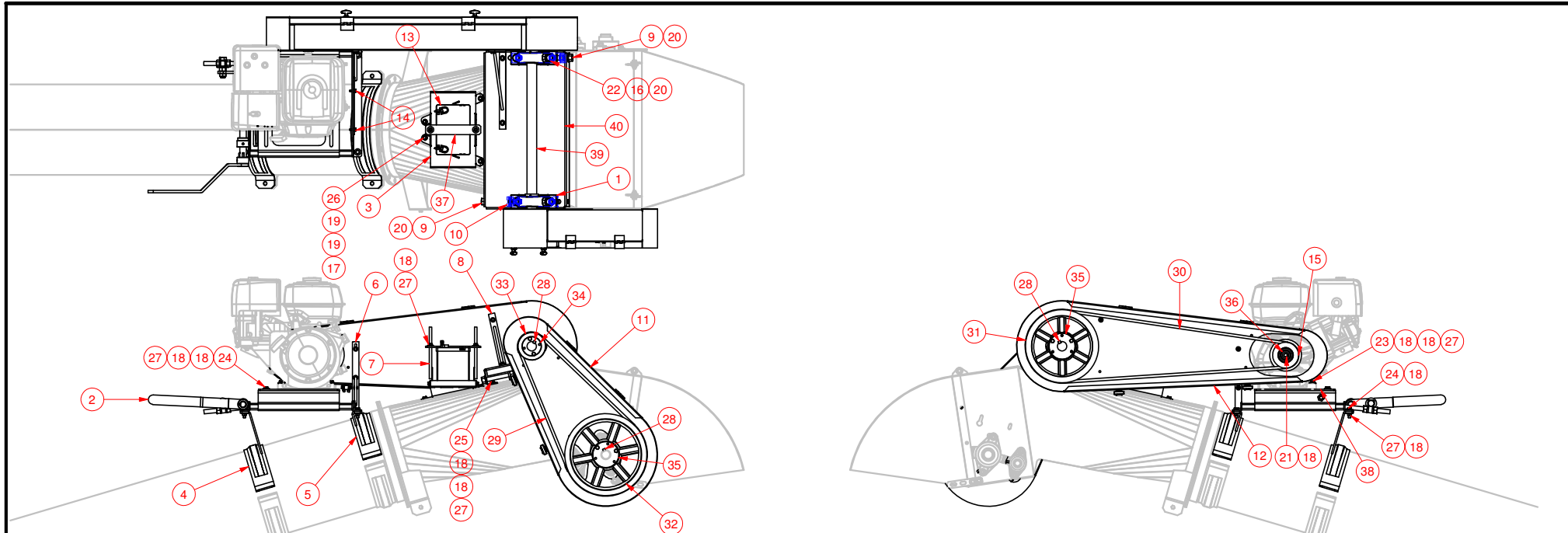
11 PROPRIETARY AND CONFIDENTIAL
 THE INFORMATION CONTAINED IN THIS DRAWING IS THE SOLE PROPERTY OF CONVEY-ALL INDUSTRIES. ANY REPRODUCTION IN PART OR AS A WHOLE WITHOUT THE WRITTEN PERMISSION OF CONVEY-ALL IS PROHIBITED.



ITEM	PART #	DESCRIPTION	QTY
1	110294	TED DISCHARGE HOOD DEFLECTOR BRACE	1
2	110293	TED DISCHARGE SPOUT - BACK	1
3	110292	TED DISCHARGE HOOD SIDE - RIGHT	1
4	110291	TED DISCHARGE HOOD SIDE - LEFT	1
5	110290	TED DISCHARGE HOOD - TOP	1
6	108979	DISCHARGE HOOD HINGE PLATE	2
7	103435	TUBE SECTION - 12GA X 14D X 2 3/4L	1

TOLERANCES UNLESS OTHERWISE SPECIFIED		INCH FORMAT UNLESS OTHERWISE SPECIFIED		CONVEY-ALL INDUSTRIES INC.
FRACTIONAL	±1/16	DO NOT SCALE DRAWING		
X.X	±0.1			WINKLER, MB CANADA (204) 325-4195
X.XX	±0.04			
X.XXX	±0.010			
ANGULAR	±1°			
PART NO. 404060		TITLE UBSNH-14 ROUND SPOUT DISCHARGE HOOD		
CREATED: 06/06/2012		MATERIAL		REF NO.
REVISD: 04/12/2013		SCALE: NTS		WT: 58.0 lbmass
DESIGNED: TF		DRAWN: TF		SHEET: 1 OF 1

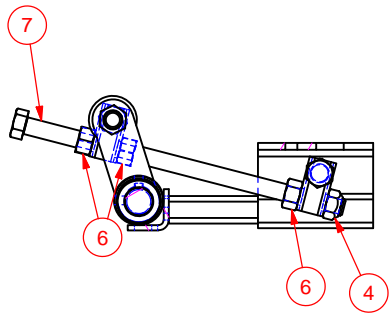
PROPRIETARY AND CONFIDENTIAL
 THE INFORMATION CONTAINED IN THIS DRAWING IS THE
 SOLE PROPERTY OF CONVEY-ALL INDUSTRIES. ANY
 REPRODUCTION IN PART OR AS A WHOLE WITHOUT THE
 WRITTEN PERMISSION OF CONVEY-ALL IS PROHIBITED.



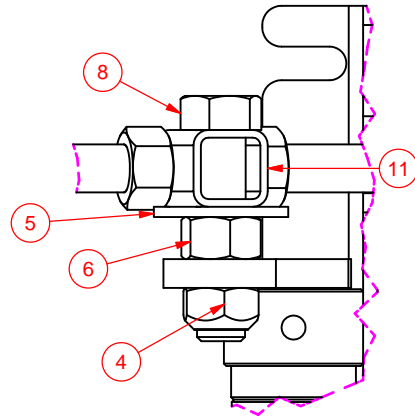
ITEM	PART #	DESCRIPTION	QTY	ITEM	PART #	DESCRIPTION	QTY
1	B-0000-0050	BEARING - P208 - 1 1/2" SHAFT - COMPLETE	2	23	16-0207-0130	HEX BOLT - 3/8" x 2" UNC - ZINC PLTD - GRD 5	4
2	500087	GAS MOTOR MOUNT	1	24	16-0207-0126	HEX BOLT - 3/8" x 1 1/4" UNC - ZINC PLTD - GRD 5	6
3	403740	BATTERY HOLDER BRACKET	1	25	16-0207-0124	HEX BOLT - 3/8" x 1" UNC - ZINC PLTD - GRD 5	4
4	403713	MOTOR MOUNT BRACKET - TALL	1	26	16-0207-0004	HEX BOLT - 1/4" x 3/4" UNC - ZINC PLTD - GRD 5	11
5	403712	MOTOR MOUNT BRACKET - SMALL	1	27	15-1800-0004	CONE LOCK NUT - 3/8"-16 UNC - ZINC PLTD	16
6	402325	90° BELT GUARD MOUNTING BRACKET - RIGHT	1	28	11-2300-0035	SQ KEY STOCK - 3/8" x 3/8" x 2"	3
7	401494	BATTERY TENSIONING BRACKET	2	29	11-1800-0152	V-BELT - B65	3
8	401194	BELT GUARD MOUNT BRACKET	1	30	11-1800-0116	V-BELT - B89	2
9	401191	THREADED ROD - TYPE 9 x .625D	2	31	11-1600-0065	DOUBLE GROOVE PULLEY - 11" - 2TB110	1
10	401190	COUNTERSHAFT TENSION BRACKET	2	32	11-1600-0021	TRIPLE GROOVE - 12.4" OD - 3TB124	1
11	400229	COUNTER SHAFT BELT GUARD - GAS COUNTERSHAFT	1	33	11-1600-0013	TRIPLE GROOVE PULLEY - 4.0" O.D. - 3TB40	1
12	400228	MOTOR BELT GUARD - COUNTERSHAFT GAS	1	34	11-1500-0030	HUB - P1 1 1/2"	1
13	33-0000-0007	SMALL ENGINE BATTERY	1	35	11-1500-0012	HUB - Q1 1 1/2"	2
14	24-2200-0002	SELF TAPPING SCREW - 1/4" x 3/4" - ZINC PLTD	2	36	108901	CENTRIFUGAL CLUTCH MOUNT BUSHING	1
15	19-2000-0065	GAS ENGINE CENTRIFUGAL CLUTCH - 15 HP	1	37	104224	BATTERY HOLD DOWN PLATE	1
16	16-2408-0005	SPRING LOCK WASHER - 5/8" - ZINC PLTD	4	38	102547	MOTOR MOUNT BOLT PLATE - HONDA 9, 11 & 13 HP	1
17	16-2407-0001	CONE LOCK NUT - 1/4"-20 UNC - ZINC PLTD	11	39	101619	COUNTER SHAFT - TYPE 1.5 x 34	1
18	16-1707-0004	U.S.S. FLAT WASHER - 3/8" - ZINC PLTD	31	40	101353	JACK SHAFT MOUNT BRACKET	1
19	16-1707-0002	U.S.S. FLAT WASHER - 1/4" - ZINC PLTD	22				
20	16-1307-0008	S.A.E. FLAT WASHER - 5/8" - ZINC PLTD	6				
21	16-0607-0008	HEX BOLT - 3/8" x 1 3/4" UNF - ZINC PLTD - GRD 5	1				
22	16-0207-0368	HEX BOLT - 5/8" x 2" UNC - ZINC PLTD - GRD 5	4				

PROPRIETARY AND CONFIDENTIAL
 THE INFORMATION CONTAINED IN THIS DRAWING IS THE
 SOLE PROPERTY OF CONVEY-ALL INDUSTRIES. ANY
 REPRODUCTION IN PART OR AS A WHOLE WITHOUT THE
 WRITTEN PERMISSION OF CONVEY-ALL IS PROHIBITED.

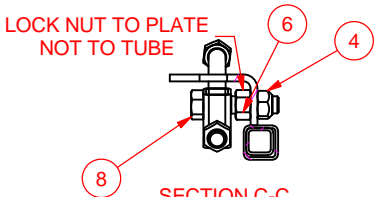
TOLERANCES UNLESS OTHERWISE SPECIFIED		INCH FORMAT UNLESS OTHERWISE SPECIFIED		
FRACTIONAL	±1/16	DO NOT SCALE DRAWING	WINKLER, MB CANADA (204) 325-4195	
XX	±0.1	PART NO. 503239		TITLE UBSNH-14
X-XX	±0.04	CREATED: 14/07/2011		GAS DRIVE W/COUNTER SHAFT
XXX	±0.010	REVISED:		MATERIAL
ANGULAR	±1°	DESIGNED: FK		REF NO.
DRAWN: FK		SCALE: NTS	WT: 235.7 lbmass	SHEET: 1 OF 1



SECTION A-A
SCALE 1:7

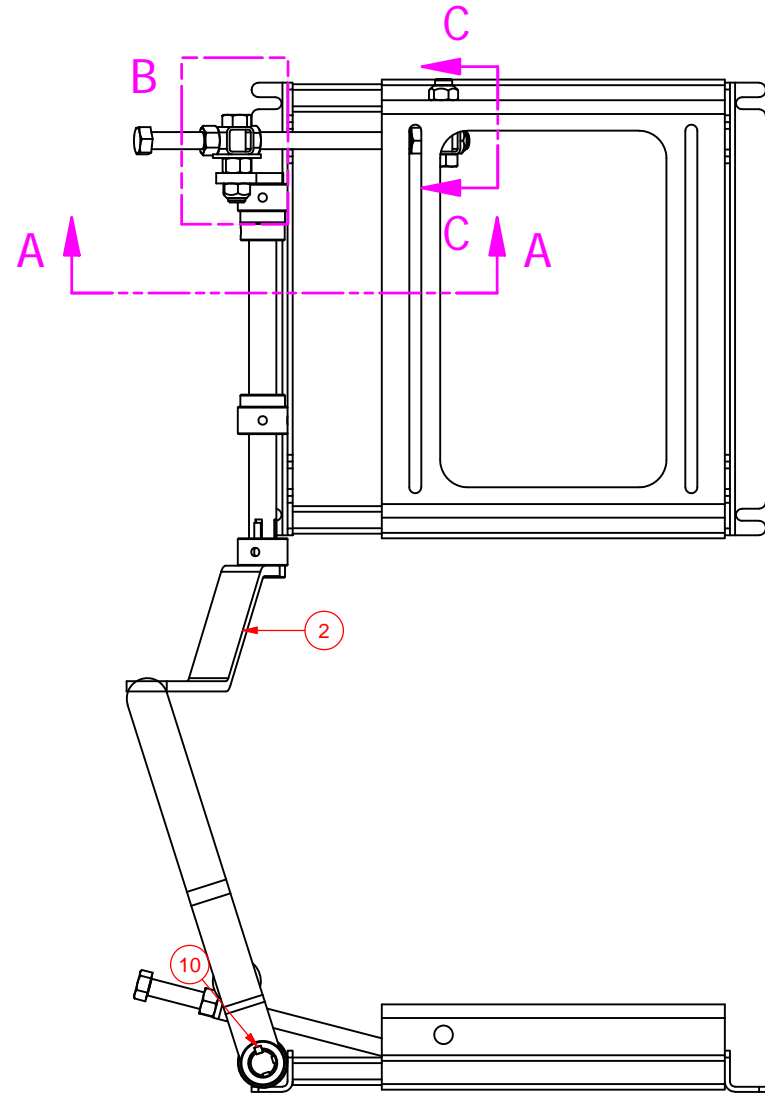
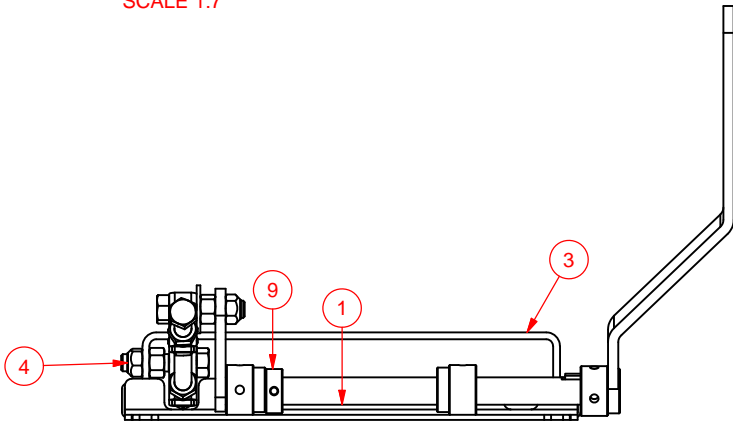


DETAIL B
SCALE 0.40:1



SECTION C-C
SCALE 1:7

LOCK NUT TO PLATE
NOT TO TUBE



ITEM	PART #	DESCRIPTION	QTY
1	402169	MOTOR TENSIONER SHAFT	1
2	401275	CLUTCH HANDLE WELDMENT	1
3	400332	GAS/ELEC. MOTOR MOUNT SUB FRAME	1
4	16-2407-0006	CONE LOCK NUT - 5/8"-11 UNC - ZINC PLTD	3
5	16-1707-0008	U.S.S. FLAT WASHER - 5/8" - ZINC PLTD	1
6	16-0907-0007	HEX NUT - 5/8"-11 UNC - ZINC PLTD - GRADE 5	5
7	16-0210-0001	HEX BOLT - 5/8" x 12" UNC - ZINC PLTD - GRD 5 FULL THREAD	1
8	16-0207-0371	HEX BOLT - 5/8" x 2 3/4" UNC - ZINC PLTD - GRD 5	2
9	12-2200-0004	SHAFT COLLAR - 1"	1
10	11-2300-0020	KEY - 1/4" x 1/4" x 2"	1
11	102556	CONNECTOR LINK	2

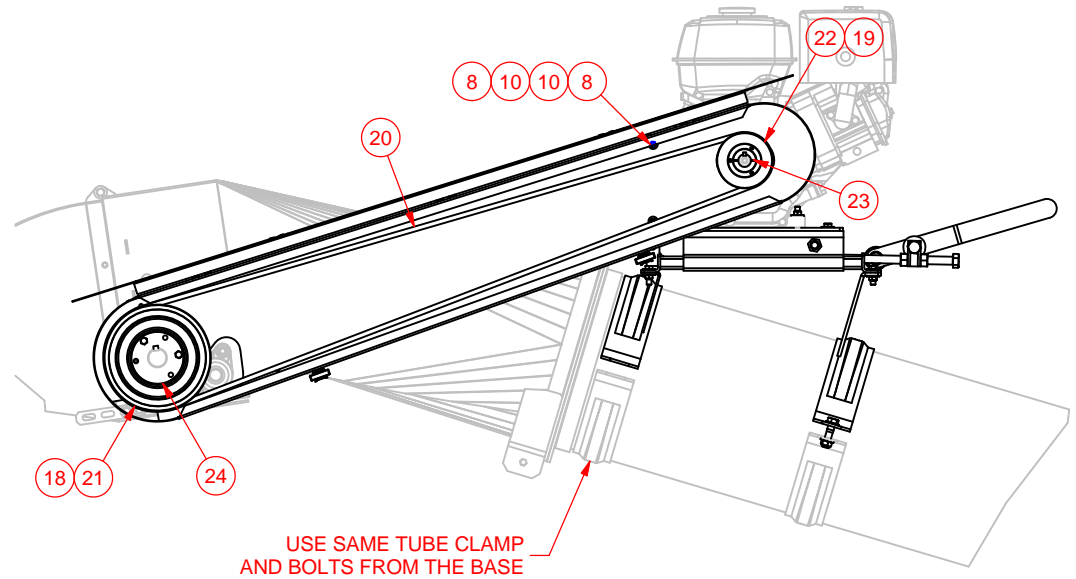
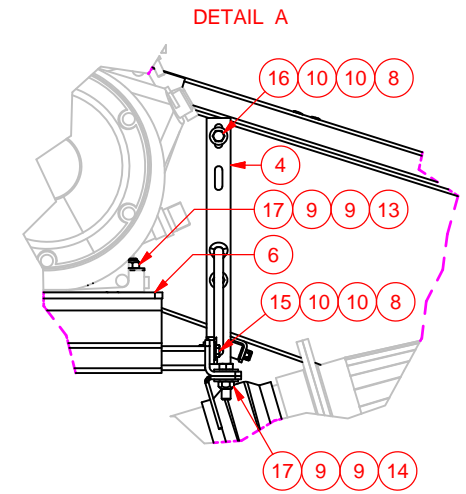
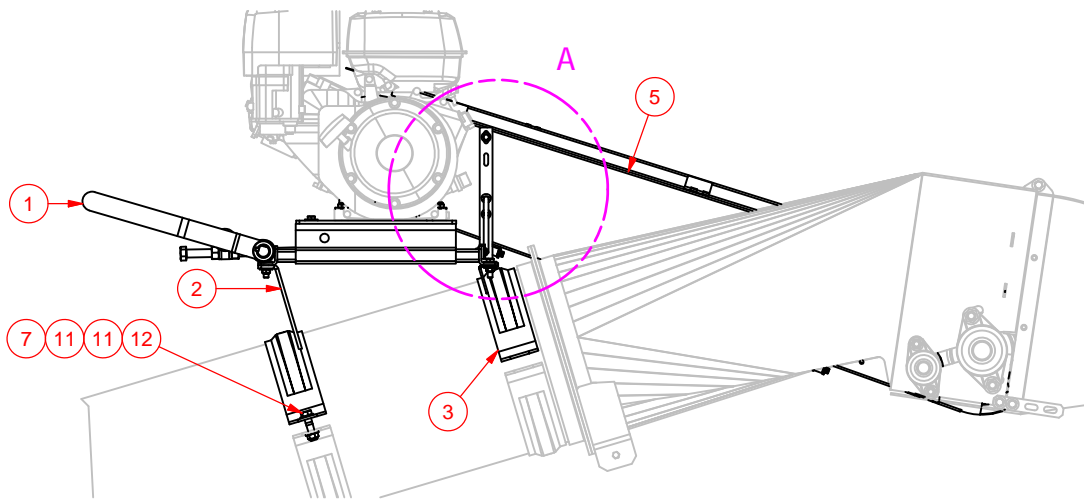
PROPRIETARY AND CONFIDENTIAL
THE INFORMATION CONTAINED IN THIS DRAWING IS THE
SOLE PROPERTY OF CONVEY-ALL INDUSTRIES. ANY
REPRODUCTION IN PART OR AS A WHOLE WITHOUT THE
WRITTEN PERMISSION OF CONVEY-ALL IS PROHIBITED.

TOLERANCES UNLESS
OTHERWISE SPECIFIED
FRACTIONAL ±1/16
X.X ±0.1
X.XX ±0.04
X.XXX ±0.010
ANGULAR ±1°

INCH FORMAT UNLESS
OTHERWISE SPECIFIED
DO NOT SCALE DRAWING

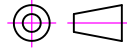
CONVEY-ALL
INDUSTRIES INC.
WINKLER, MB CANADA (204) 325-4195

PART NO. 500087	TITLE CONVEYOR-COMMON GAS/ELEC. MOTOR MOUNT	MATERIAL	REF NO.
CREATED: 25/11/2008	DESIGNED: EW	SCALE: NTS	WT: N/A
REVISED: 22/06/2012	DRAWN: EW		SHEET: 1 OF 1

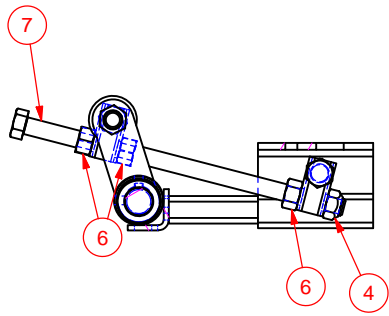


NOTE: BELT GUARD SHOWN IN THE 'OPEN' POSITION

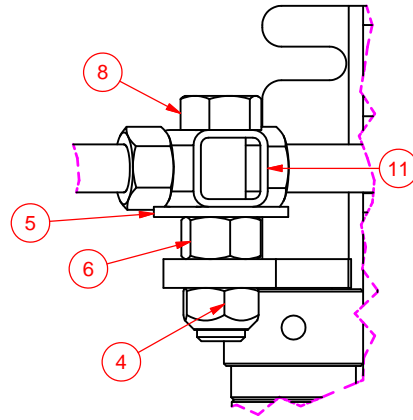
ITEM	PART #	DESCRIPTION	QTY
1	500087	GAS/ELEC. MOTOR MOUNT	1
2	403713	MOTOR MOUNT BRACKET - TALL	1
3	403712	MOTOR MOUNT BRACKET - SMALL	1
4	402325	90° BELT GUARD MOUNTING BRACKET - RIGHT	1
5	401186	MOTOR BELT GAURD - GAS	1
6	102547	MOTOR MOUNT BOLT PLATE - HONDA 9, 11 & 13 HP	1
7	16-2407-0003	CONE LOCK NUT - 1/2"-13 UNC - ZINC PLTD	2
8	16-2407-0001	CONE LOCK NUT - 1/4"-20 UNC - ZINC PLTD	4
9	16-1707-0004	U.S.S. FLAT WASHER - 3/8" - ZINC PLTD	20
10	16-1707-0002	U.S.S. FLAT WASHER - 1/4" - ZINC PLTD	8
11	16-1307-0006	S.A.E. FLAT WASHER - 1/2" - ZINC PLTD	4
12	16-0207-0250	HEX BOLT - 1/2" x 2" UNC - ZINC PLTD - GRD 5	2
13	16-0207-0130	HEX BOLT - 3/8" x 2" UNC - ZINC PLTD - GRD 5	4
14	16-0207-0126	HEX BOLT - 3/8" x 1 1/4" UNC - ZINC PLTD - GRD 5	6
15	16-0207-0006	HEX BOLT - 1/4" x 1" UNC - ZINC PLTD - GRD 5	2
16	16-0207-0004	HEX BOLT - 1/4" x 3/4" UNC - ZINC PLTD - GRD 5	2
17	15-1800-0004	CONE LOCK NUT - 3/8"-16 UNC - ZINC PLTD	10
18	11-2300-0035	KEY STOCK - 3/8" SQ x 2"	1
19	11-2300-0020	KEY STOCK - 1/4" SQ x 2"	1
20	11-1800-0138	V-BELT - B SECTION - B114	3
21	11-1600-0057	TRIPLE GROVE PULLEY - 8.0" O.D. - 3TB80	1
22	11-1600-0013	TRIPLE GROVE PULLEY - 4.0" O.D. - 3TB40	1
23	11-1500-0031	HUB - P1 1"	1
24	11-1500-0012	HUB - Q1 1 1/2"	1

TOLERANCES UNLESS OTHERWISE SPECIFIED FRACTIONAL ±1/16 X.X ±0.1 X.XX ±0.04 X.XXX ±0.010 ANGULAR ±1°		INCH FORMAT UNLESS OTHERWISE SPECIFIED  DO NOT SCALE DRAWING		CONVEY-ALL INDUSTRIES INC. WINKLER, MB CANADA (204) 325-4195	
PART NO. 503671		TITLE UBSNH-14 GAS DRIVE			
CREATED: 24/03/2006		MATERIAL		REF NO.	
REVISED: 18/11/2014		DESIGNED: PU		DRAWN: PU	
SCALE: NTS		WT: N/A		SHEET: 1 OF 1	

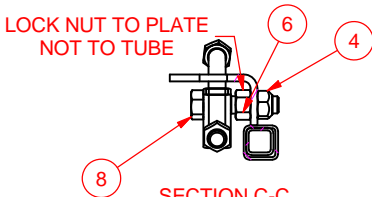
15 PROPRIETARY AND CONFIDENTIAL
 THE INFORMATION CONTAINED IN THIS DRAWING IS THE SOLE PROPERTY OF CONVEY-ALL INDUSTRIES. ANY REPRODUCTION IN PART OR AS A WHOLE WITHOUT THE WRITTEN PERMISSION OF CONVEY-ALL IS PROHIBITED.



SECTION A-A
SCALE 1:7

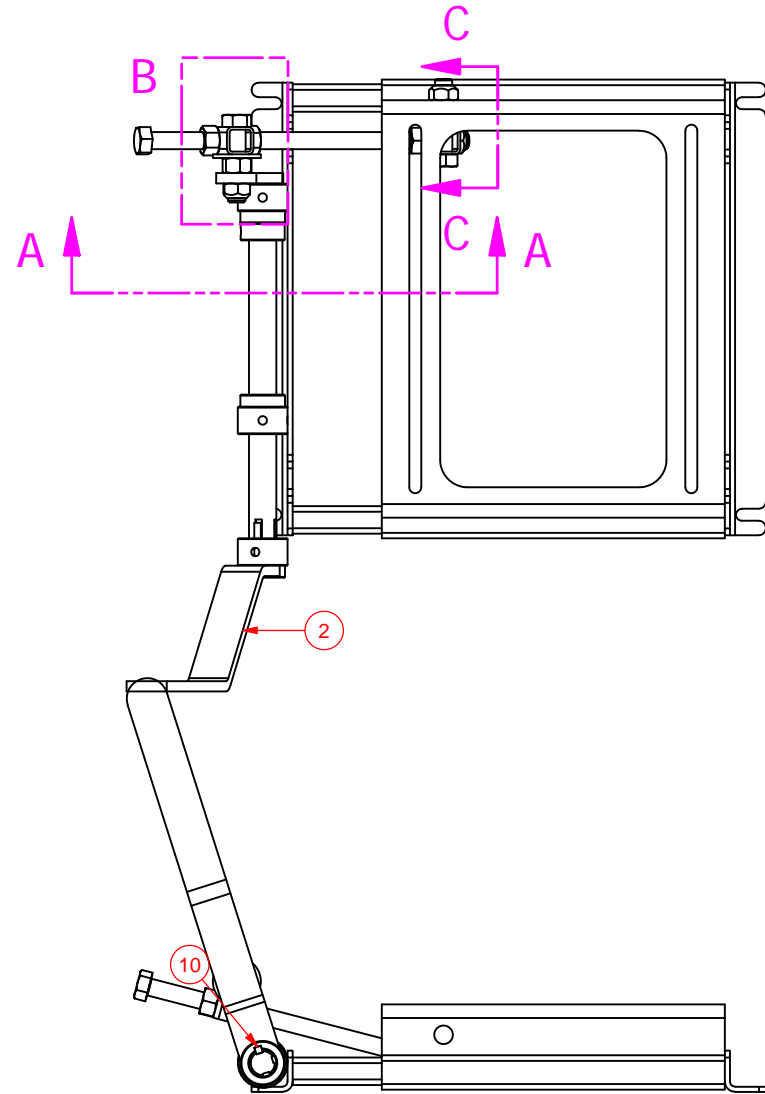
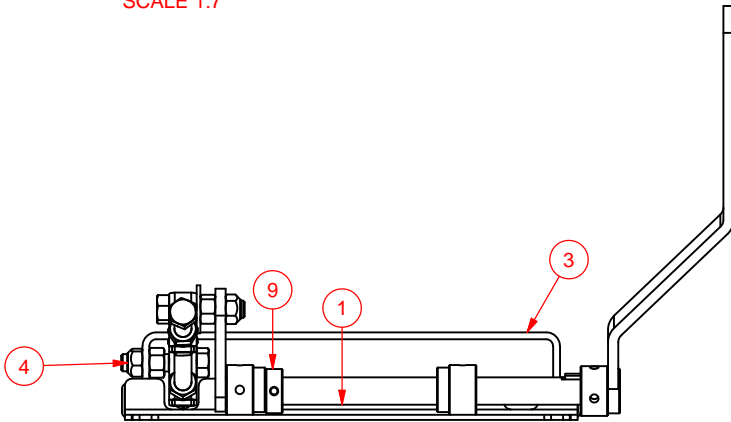


DETAIL B
SCALE 0.40:1



SECTION C-C
SCALE 1:7

LOCK NUT TO PLATE
NOT TO TUBE



ITEM	PART #	DESCRIPTION	QTY
1	402169	MOTOR TENSIONER SHAFT	1
2	401275	CLUTCH HANDLE WELDMENT	1
3	400332	GAS/ELEC. MOTOR MOUNT SUB FRAME	1
4	16-2407-0006	CONE LOCK NUT - 5/8"-11 UNC - ZINC PLTD	3
5	16-1707-0008	U.S.S. FLAT WASHER - 5/8" - ZINC PLTD	1
6	16-0907-0007	HEX NUT - 5/8"-11 UNC - ZINC PLTD - GRADE 5	5
7	16-0210-0001	HEX BOLT - 5/8" x 12" UNC - ZINC PLTD - GRD 5 FULL THREAD	1
8	16-0207-0371	HEX BOLT - 5/8" x 2 3/4" UNC - ZINC PLTD - GRD 5	2
9	12-2200-0004	SHAFT COLLAR - 1"	1
10	11-2300-0020	KEY - 1/4" x 1/4" x 2"	1
11	102556	CONNECTOR LINK	2

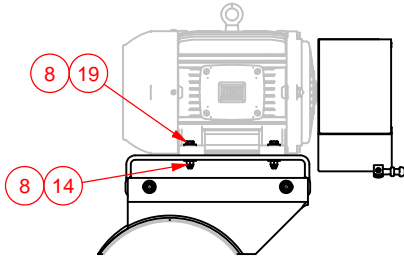
PROPRIETARY AND CONFIDENTIAL
THE INFORMATION CONTAINED IN THIS DRAWING IS THE
SOLE PROPERTY OF CONVEY-ALL INDUSTRIES. ANY
REPRODUCTION IN PART OR AS A WHOLE WITHOUT THE
WRITTEN PERMISSION OF CONVEY-ALL IS PROHIBITED.

TOLERANCES UNLESS
OTHERWISE SPECIFIED
FRACTIONAL ±1/16
X.X ±0.1
X.XX ±0.04
X.XXX ±0.010
ANGULAR ±1°

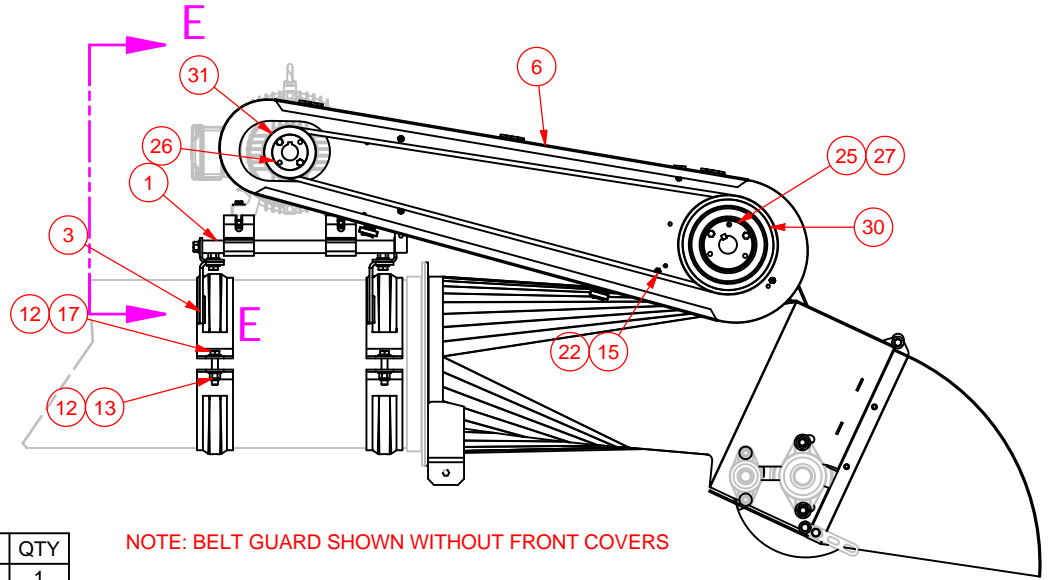
INCH FORMAT UNLESS
OTHERWISE SPECIFIED
DO NOT SCALE DRAWING

CONVEY-ALL
INDUSTRIES INC.
WINKLER, MB CANADA (204) 325-4195

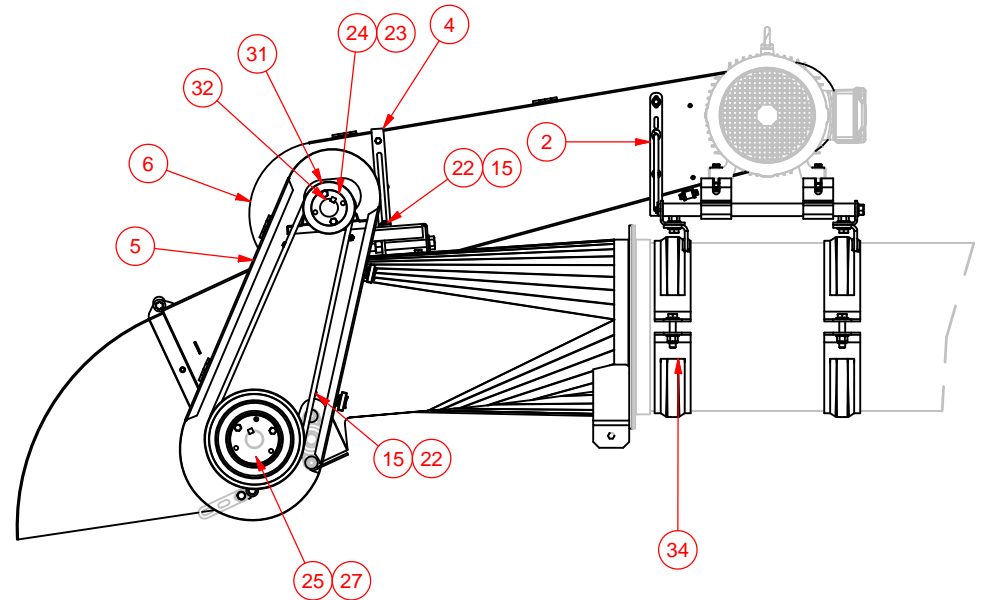
PART NO. 500087	TITLE CONVEYOR-COMMON GAS/ELEC. MOTOR MOUNT	REF NO.
CREATED: 25/11/2008	MATERIAL	SCALE: NTS WT: N/A SHEET: 1 OF 1
REVISED: 22/06/2012	DESIGNED: EW	
DRAWN: EW		



SECTION E-E
SCALE 1 / 16



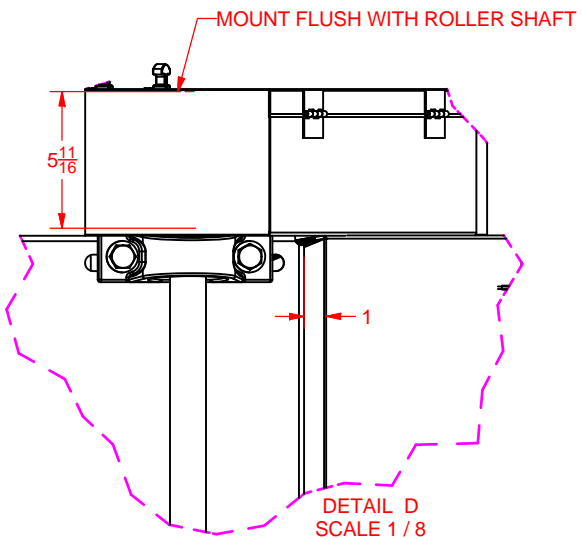
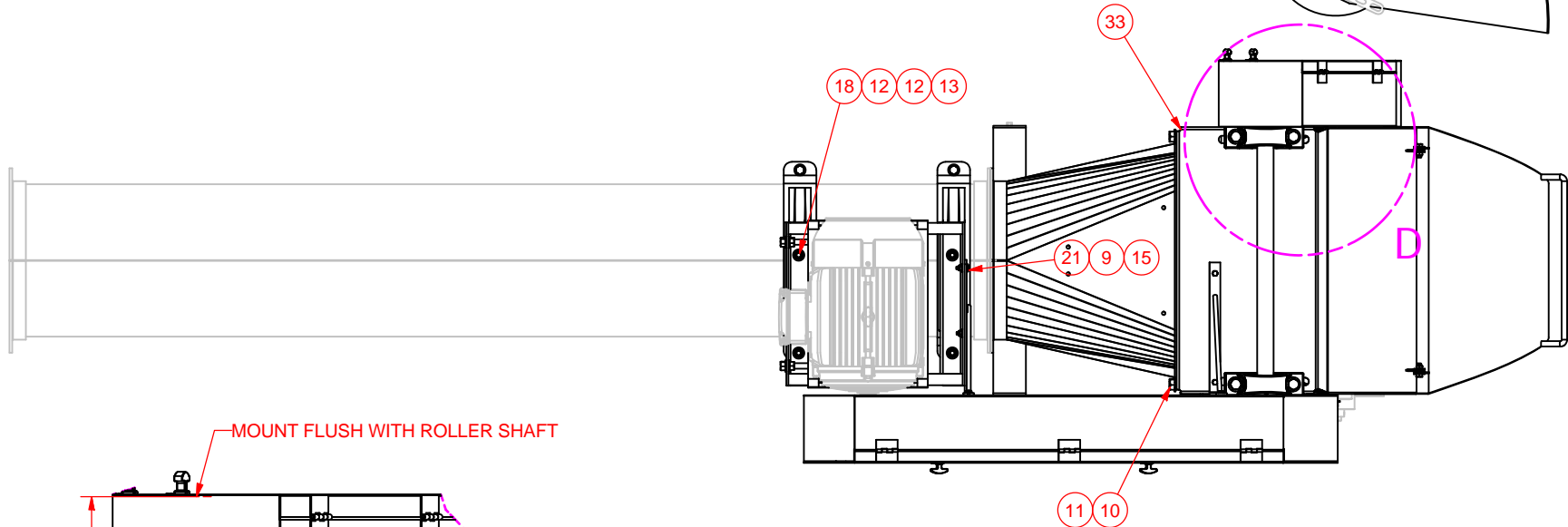
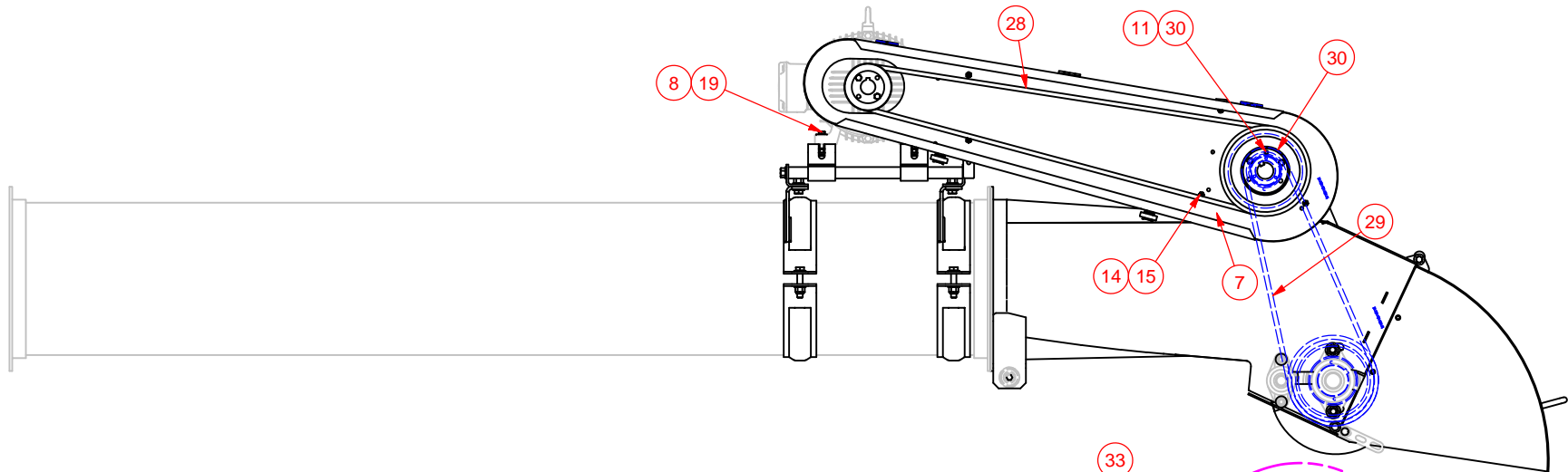
NOTE: BELT GUARD SHOWN WITHOUT FRONT COVERS



ITEM	PART #	DESCRIPTION	QTY
1	501252	ELECTRIC MOTOR MOUNT ASSEMBLY	1
2	402296	90° BELT GUARD MOUNTING BRACKET - LEFT	1
3	402294	TUBE CLAMP MOTOR MOUNT - ELECTRIC	2
4	401194	BELT GUARD MOUNT BRACKET	1
5	401193	COUNTER SHAFT BELT GUARD	1
6	401192	MOTOR BELT GUARD - ELECTRIC	1
7	401190	COUNTERSHAFT TENSION BRACKET	2
8	1617070004	U.S.S. FLAT WASHER - 3/8" - ZINC PLTD	8
9	1617070002	U.S.S. FLAT WASHER - 1/4" - ZINC PLTD	6
10	1602070035	HEX BOLT - 5/8"-11 X 6" UNC - ZINC PLTD - GRADE 5 - FULL THREAD	2
11	16-1307-0008	SAE FLAT WASHER - 5/8" PLTD	6
12	16-1307-0006	SAE FLAT WASHER - 1/2" PLTD	16
13	16-0707-0005	NYLON INSERT LOCK NUT - 1/2" UNC - PLTD - GRD 5	8
14	16-0707-0003	NYLON INSERT LOCK NUT - 3/8" UNC - PLTD - GRD 5	8
15	16-0707-0001	NYLON INSERT LOCK NUT - 1/4" UNC - PLTD - GRD 5	13
16	16-0207-0368	HEX BOLT - 5/8" x 2" UNC - PLTD - GRD 5	4
17	16-0207-0252	HEX BOLT - 1/2" x 2 1/2" UNC - PLTD - GRD 5	4
18	16-0207-0248	HEX BOLT - 1/2" x 1 1/2" UNC - PLTD - GRD 5	4
19	16-0207-0130	HEX BOLT - 3/8" x 2" UNC - PLTD - GRD 5	4
20	16-0207-0124	HEX BOLT - 3/8" x 1" UNC - PLTD - GRD 5	4
21	16-0207-0007	HEX BOLT - 1/4" x 1" UNC - PLTD - GRD 5	2
22	16-0207-0004	HEX BOLT - 1/4" x 3/4" UNC - PLTD - GRD 5	11
23	12-1000-0110	BEARING - P208 - 1 1/2" SHAFT - COMPLETE	2
24	1115000030	HUB - P1 1 1/2"	1
25	1115000012	HUB - Q1 1 1/2"	2
26	1115000008	HUB - P1 1 3/8"	1
27	11-2300-0035	KEY STOCK - 3/8" SQ x 2"	3
28	11-1800-0314	V-BELT - 3RB92	1
29	11-1800-0313	V-BELT - 3RB58	1
30	11-1600-0057	TRIPLE GROVE PULLEY - 8.0" O.D. - 3TB80	2
31	11-1600-0013	TRIPLE GROVE PULLEY - 4.0" O.D. - 3TB40	2
32	101619	COUNTER SHAFT - TYPE 1.5 x 34	1
33	101353	JACK SHAFT MOUNT BRACKET	1
34	101081	TUBE CLAMP - TYPE 3	2

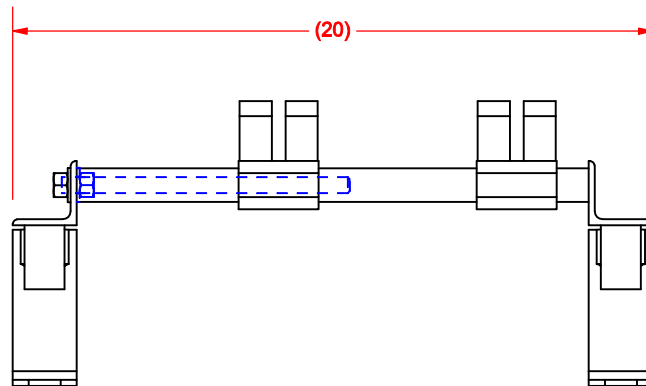
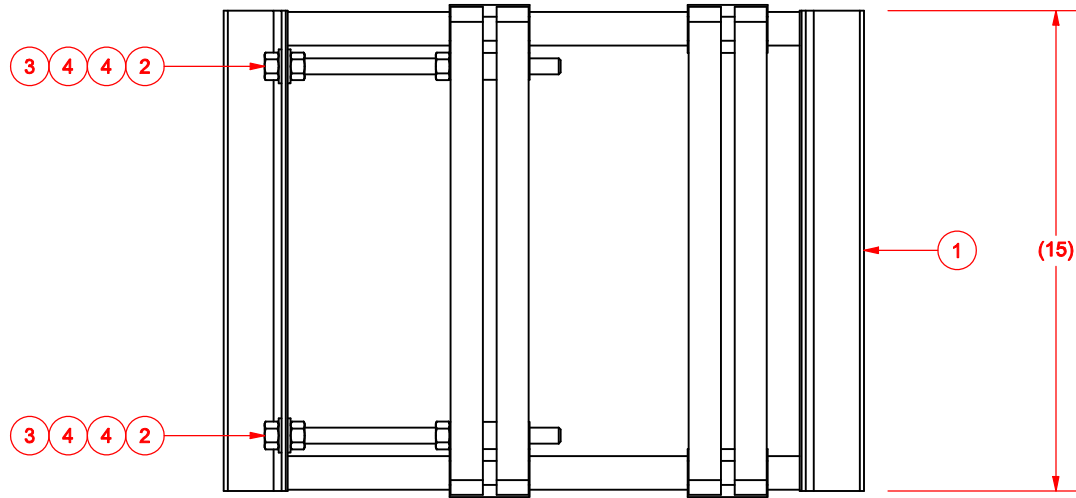
TOLERANCES UNLESS OTHERWISE SPECIFIED		INCH FORMAT UNLESS OTHERWISE SPECIFIED	
FRACTIONAL	1/16		CONVEY-ALL WINKLER, MB CANADA (204) 325-4195
X.X	0.1		
X.XX	0.04		
X.XXX	0.010		
ANGULAR	1°	DRAWING NOT TO SCALE	
PART NO. 650505007		TITLE ELECTRIC DRIVE	
CREATED: 4/3/2006			
DRAWN BY: PU			
DESIGNED BY: PU		MATERIAL	
REVISED BY: VH		SQ. IN. REV. #	
REVISED: 9/19/2018		WT: N/A REF #: SHEET: 1 OF 2	

PROPRIETARY AND CONFIDENTIAL
 ALL INFORMATION CONTAINED IN THIS DRAWING IS THE SOLE PROPERTY OF CONVEY-ALL INDUSTRIES. ANY REPRODUCTION IN PART OR AS A WHOLE WITHOUT THE WRITTEN PERMISSION OF CONVEY-ALL IS PROHIBITED.



TOLERANCES UNLESS OTHERWISE SPECIFIED FRACTIONAL 1/16 X.X 0.1 X.XX 0.04 X.XXX 0.010 ANGULAR 1°		INCH FORMAT UNLESS OTHERWISE SPECIFIED 		CONVEY-ALL WINKLER, MB CANADA (204) 325-4195	
DRAWING NOT TO SCALE		TITLE UBSNH-14			
PART NO. 650505007		ELECTRIC DRIVE			
CREATED: 4/3/2006		MATERIAL			
DRAWN BY: PU		DESIGNED BY: PU		SQ. IN.	
REVISED BY: VH		REVISED: 9/19/2018		REV. # B	
WT: N/A		REF #:		SHEET: 2 OF 2	

PROPRIETARY AND CONFIDENTIAL
 THIS INFORMATION CONTAINED IN THIS DRAWING IS THE SOLE PROPERTY OF CONVEY-ALL INDUSTRIES. ANY REPRODUCTION IN PART OR AS A WHOLE WITHOUT THE WRITTEN PERMISSION OF CONVEY-ALL IS PROHIBITED.

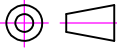


ITEM	PART #	DESCRIPTION	QTY
1	401416	ELECTRIC MOTOR MOUNT	1
2	400015	THREADED ROD - TYPE 9 x .5D	2
3	16-0907-0005	HEX NUT - 1/2" UNC - PLTD - GRD 5	2
4	16-1307-0006	SAE FLAT WASHER - 1/2" PLTD	4

19

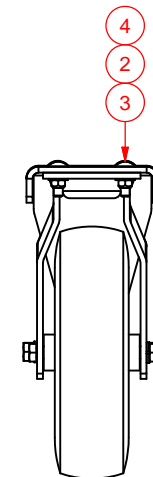
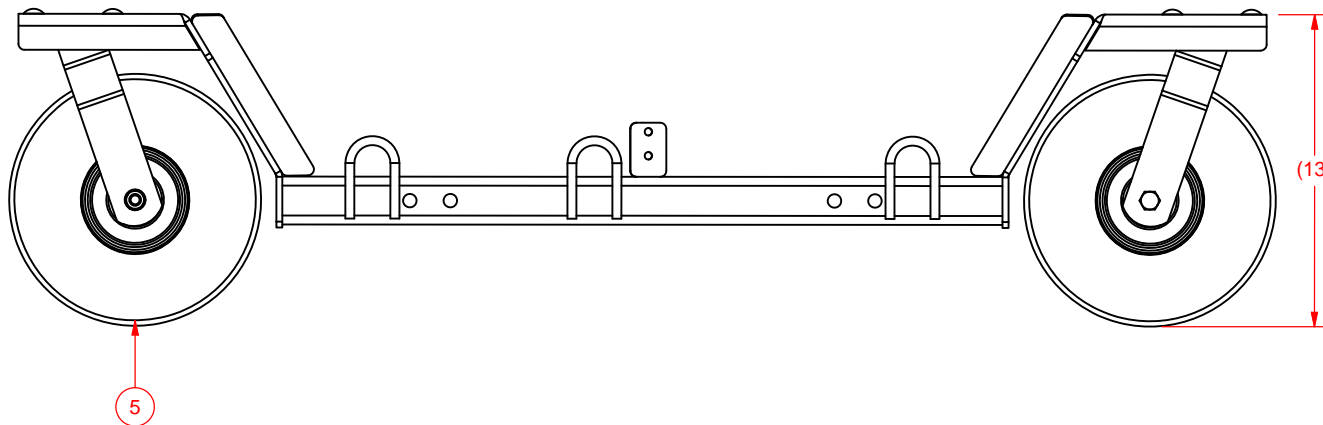
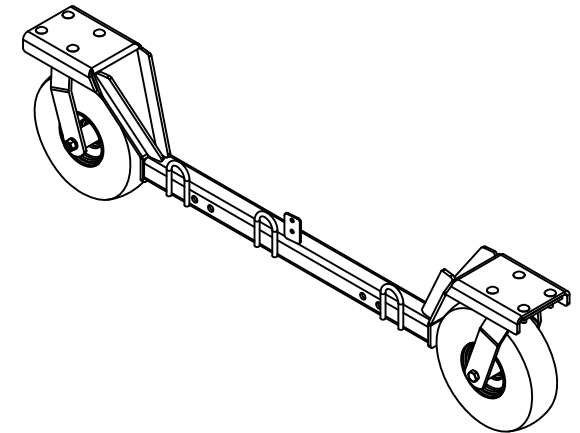
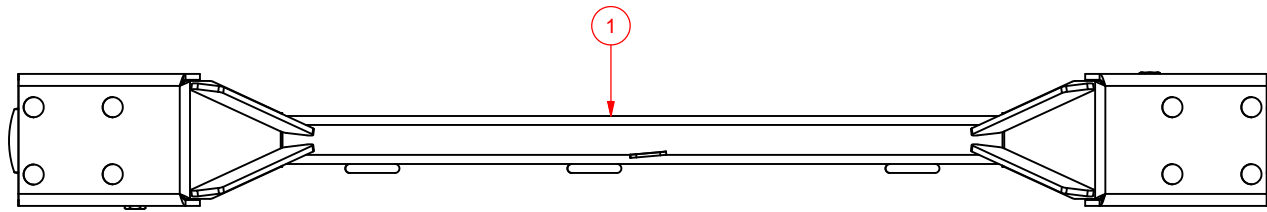
PROPRIETARY AND CONFIDENTIAL
 THE INFORMATION CONTAINED IN THIS DRAWING IS THE
 SOLE PROPERTY OF CONVEY-ALL INDUSTRIES. ANY
 REPRODUCTION IN PART OR AS A WHOLE WITHOUT THE
 WRITTEN PERMISSION OF CONVEY-ALL IS PROHIBITED.

TOLERANCES UNLESS
 OTHERWISE SPECIFIED
 FRACTIONAL ±1/16
 XX ±0.1
 XXX ±0.04
 XXXX ±0.010
 ANGULAR ±1°

INCH FORMAT UNLESS
 OTHERWISE SPECIFIED

 DO NOT SCALE DRAWING

CONVEY-ALL
INDUSTRIES INC.
 WINKLER, MB CANADA (204) 325-4195

PART NO. 501252	TITLE TC-10 ELECTRIC MOTOR MOUNT ASSEMBLY	REF NO.
CREATED: 6/20/2008	MATERIAL	SCALE: NTS WT: N/A SHEET: 1 OF 1
REVISED: 6/25/2008	DRAWN: TF	

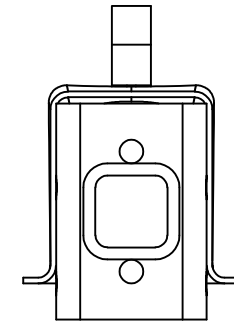
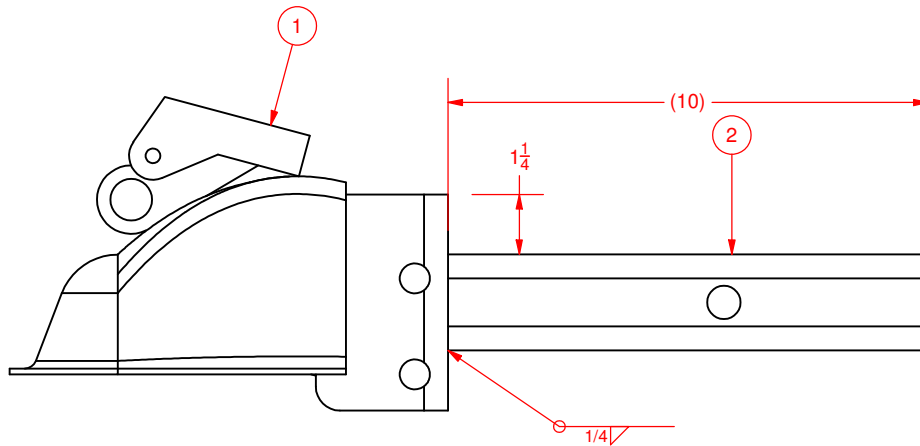
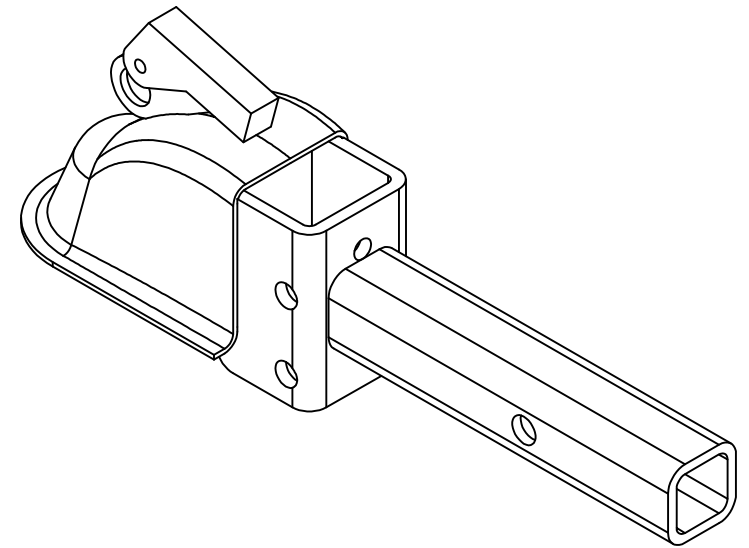
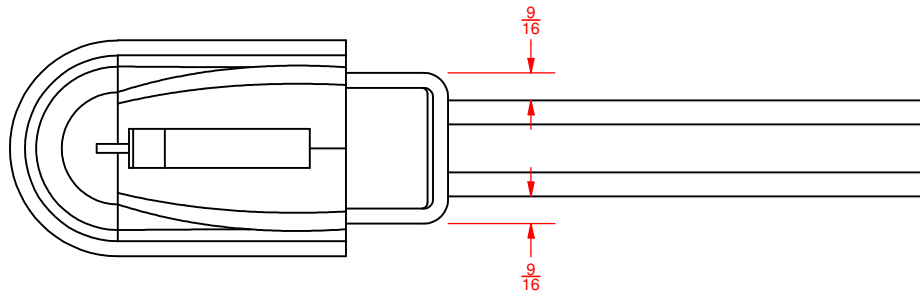


ITEM	PART #	DESCRIPTION	QTY
1	404989	CASTER WHEEL AXLE WITH LIFT AND SAFTEY HOOKS	1
2	16-1307-0004	S.A.E. FLAT WASHER - 3/8" - ZINC PLTD	8
3	16-0307-0126	CARRIAGE BOLT - 3/8" x 1 1/4" UNC - PLTD - GRD 5	8
4	15-1800-0004	CONE LOCK NUT - 3/8"-16 UNC - ZINC PLTD	8
5	12-1200-0005	CASTER WHEEL - 4.10/3.50-4	2

20

PROPRIETARY AND CONFIDENTIAL
 THE INFORMATION CONTAINED IN THIS DRAWING IS THE
 SOLE PROPERTY OF CONVEY-ALL INDUSTRIES. ANY
 REPRODUCTION IN PART OR AS A WHOLE WITHOUT THE
 WRITTEN PERMISSION OF CONVEY-ALL IS PROHIBITED.

TOLERANCES UNLESS OTHERWISE SPECIFIED		INCH FORMAT UNLESS OTHERWISE SPECIFIED		CONVEY-ALL INDUSTRIES INC.
FRACTIONAL	±1/16	DO NOT SCALE DRAWING		
X.X	±0.1			WINKLER, MB CANADA (204) 325-4195
X.XX	±0.04			
X.XXX	±0.010			
ANGULAR	±1°			
PART NO.		TITLE		
503608		UBSNH-10 CASTER WHEEL AXLE		
CREATED: 05/06/2014		MATERIAL		REF NO.
REVISED: 29/01/2015		SCALE: NTS		WT: N/A
DESIGNED:		DRAWN: ZP		SHEET: 1 OF 1



TOLERANCES UNLESS OTHERWISE SPECIFIED
 FRACTIONAL ±1/16
 X.X ±0.1
 X.XX ±0.04
 X.XXX ±0.010
 ANGULAR ±1°

INCH FORMAT UNLESS OTHERWISE SPECIFIED

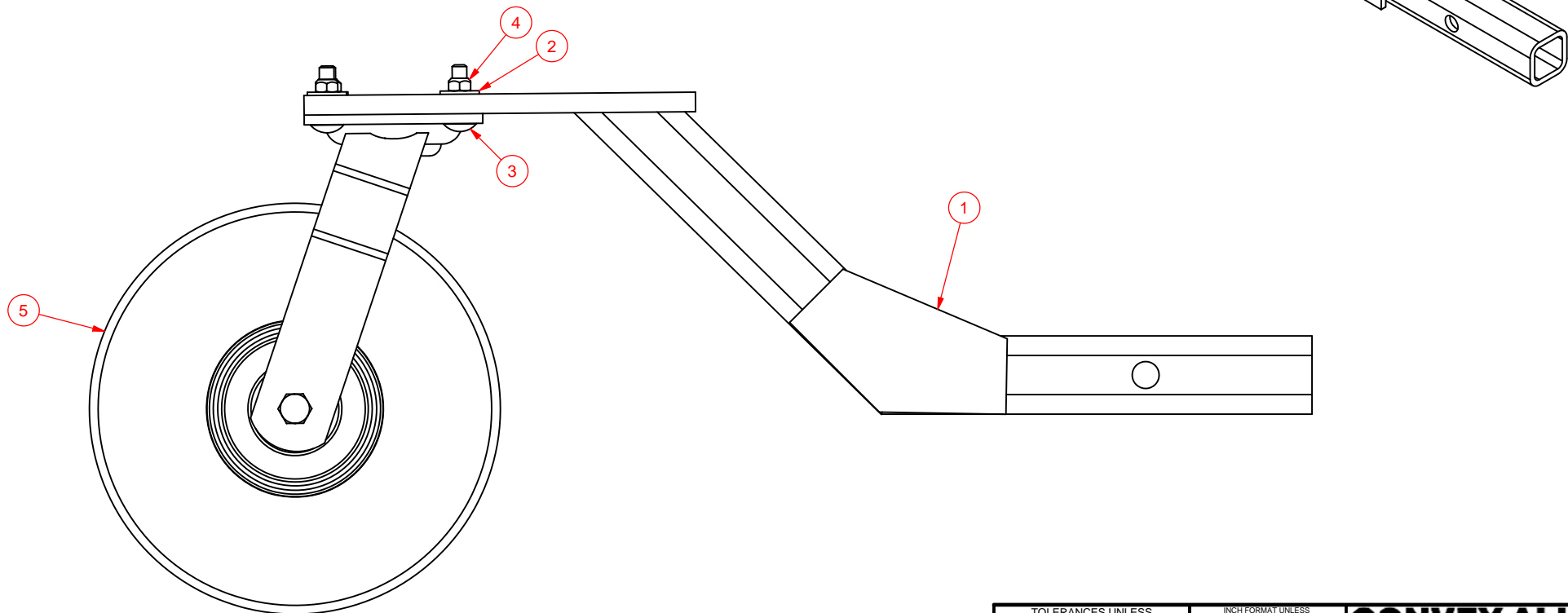
 DO NOT SCALE DRAWING

CONVEY-ALL INDUSTRIES INC.
 WINKLER, MB CANADA (204) 325-4195


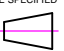
PART NO. 402246	TITLE 2 5/16" BALL RECEIVER HITCH	MISC.	REF NO.
CREATED: 12/22/2008	REVISD: 3/17/2008	MATERIAL	
DESIGNED: FK	DRAWN: FK	SCALE: NTS	WT: 12.2 lbmass
SHEET: 1 OF 1			

ITEM	PART #	DESCRIPTION	QTY
1	30-2000-0004	HITCH - 2-5/16" BALL COUPLER	1
2	103969	HITCH RECEIVER TUBE	1

PROPRIETARY AND CONFIDENTIAL
 THE INFORMATION CONTAINED IN THIS DRAWING IS THE SOLE PROPERTY OF CONVEY-ALL INDUSTRIES. ANY REPRODUCTION IN PART OR AS A WHOLE WITHOUT THE WRITTEN PERMISSION OF CONVEY-ALL IS PROHIBITED.



ITEM	PART #	DESCRIPTION	QTY
1	402160	YARD WHEEL BRACKET	1
2	1617070004	U.S.S. FLAT WASHER - 3/8" - ZINC PLTD	4
3	1603070128	CARRIAGE BOLT - 3/8"-16 UNC X 1 1/2" - ZINC PLTD - GRADE 5	4
4	1518000004	CONE LOCK NUT - 3/8"-16 UNC - ZINC PLTD	4
5	12-1200-0005	CASTER WHEEL - 4.10/3.50-4	1

TOLERANCES UNLESS OTHERWISE SPECIFIED FRACTIONAL 1/16 X.X 0.1 X.XX 0.04 X.XXX 0.010 ANGULAR 1°		INCH FORMAT UNLESS OTHERWISE SPECIFIED  		CONVEY-ALL INDUSTRIES INC. WINKLER, MB CANADA (204) 325-4195	
PART NO. 504357		TITLE TC-10 YARD WHEEL CASTER			
CREATED: 6/4/2008 DRAWN BY: FK		DRAWING NOT TO SCALE			
DESIGNED BY: FK		MATERIAL		SQ. IN. REV. #	
REVISED BY: EW		REVISIONS		REF #	
REVISED: 12/15/2016		WT: 24.192 lbmass		SHEET: 1 OF 1	

PROPRIETARY AND CONFIDENTIAL
 ALL INFORMATION CONTAINED IN THIS DRAWING IS THE SOLE PROPERTY OF CONVEY-ALL INDUSTRIES. ANY REPRODUCTION IN PART OR AS A WHOLE WITHOUT THE WRITTEN PERMISSION OF CONVEY-ALL IS PROHIBITED.