

SUPER 248DH
Without Bottom Fan

PARTS AND INSTRUCTION MANUAL

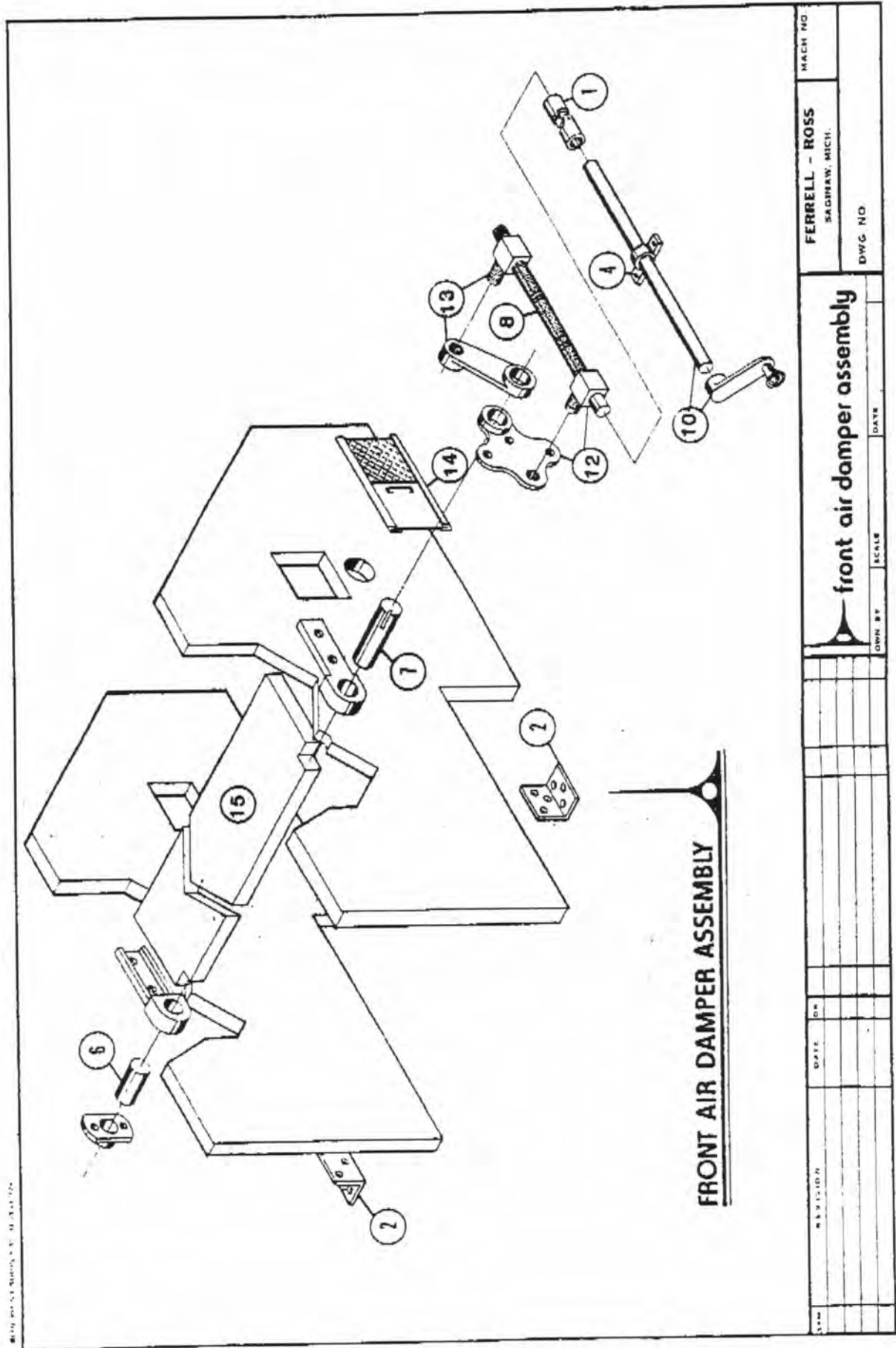
CLIPPER

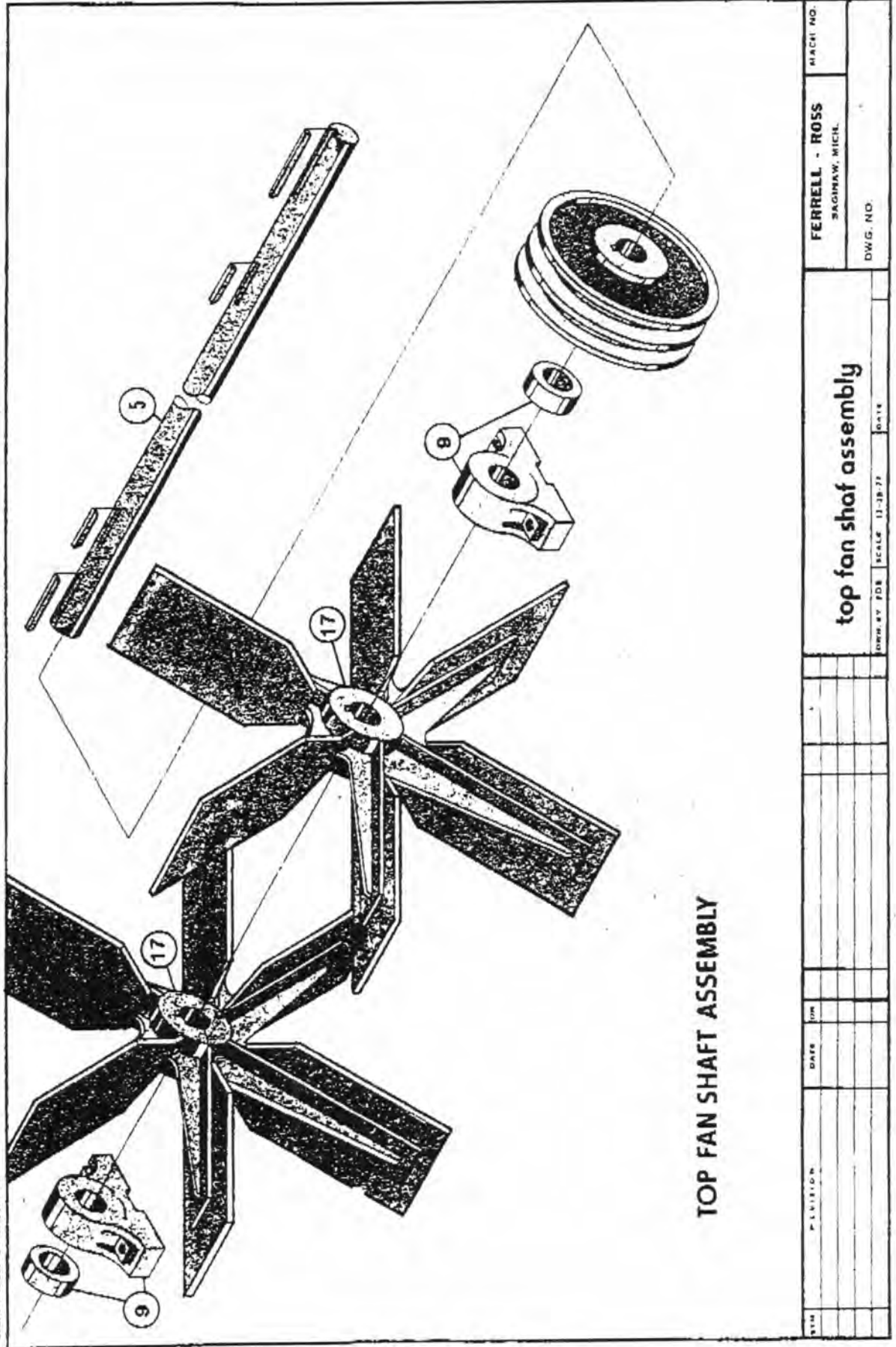
Div. of B.A.I.C.



Clipper · SUPER 248DH PARTS LIST INDEX

	PAGE
FRONT AIR DAMPER	1
BACK AIR DAMPER	2
TOP FAN SHAFT	3
BRUSH MECHANISMS FOR 86" SCREEN .	4
BRUSH CARRIER ASSEMBLY.	5
ROPE SHEAVE ASSEMBLY.	6
COUNTER SHAFT	10 & 11
ECCENTRIC SHAFT	12 & 13
ADJUSTABLE BELT TAKE-UPS.	14

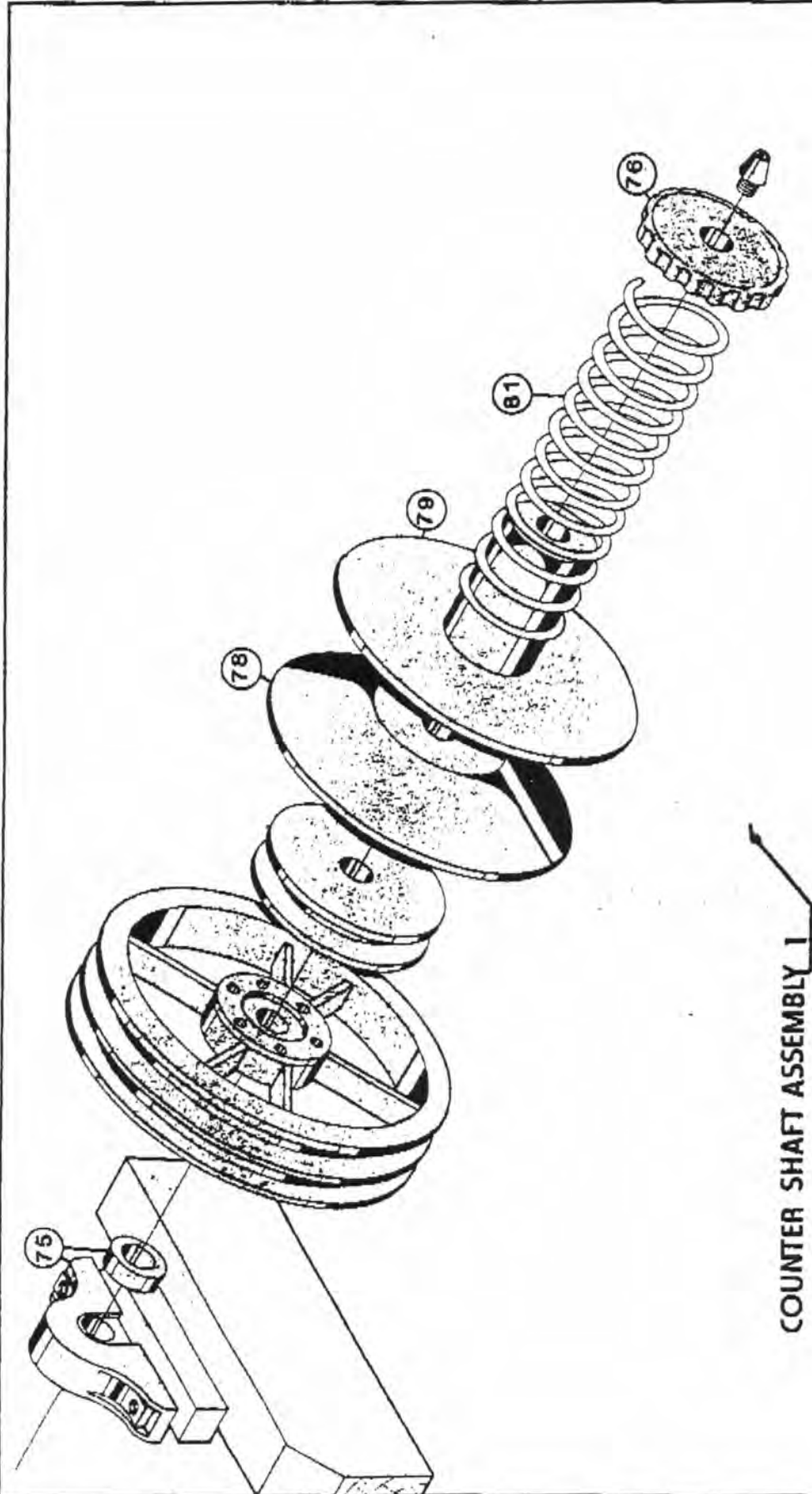




WELF PARTS SUPPLY 800 32-26-5151

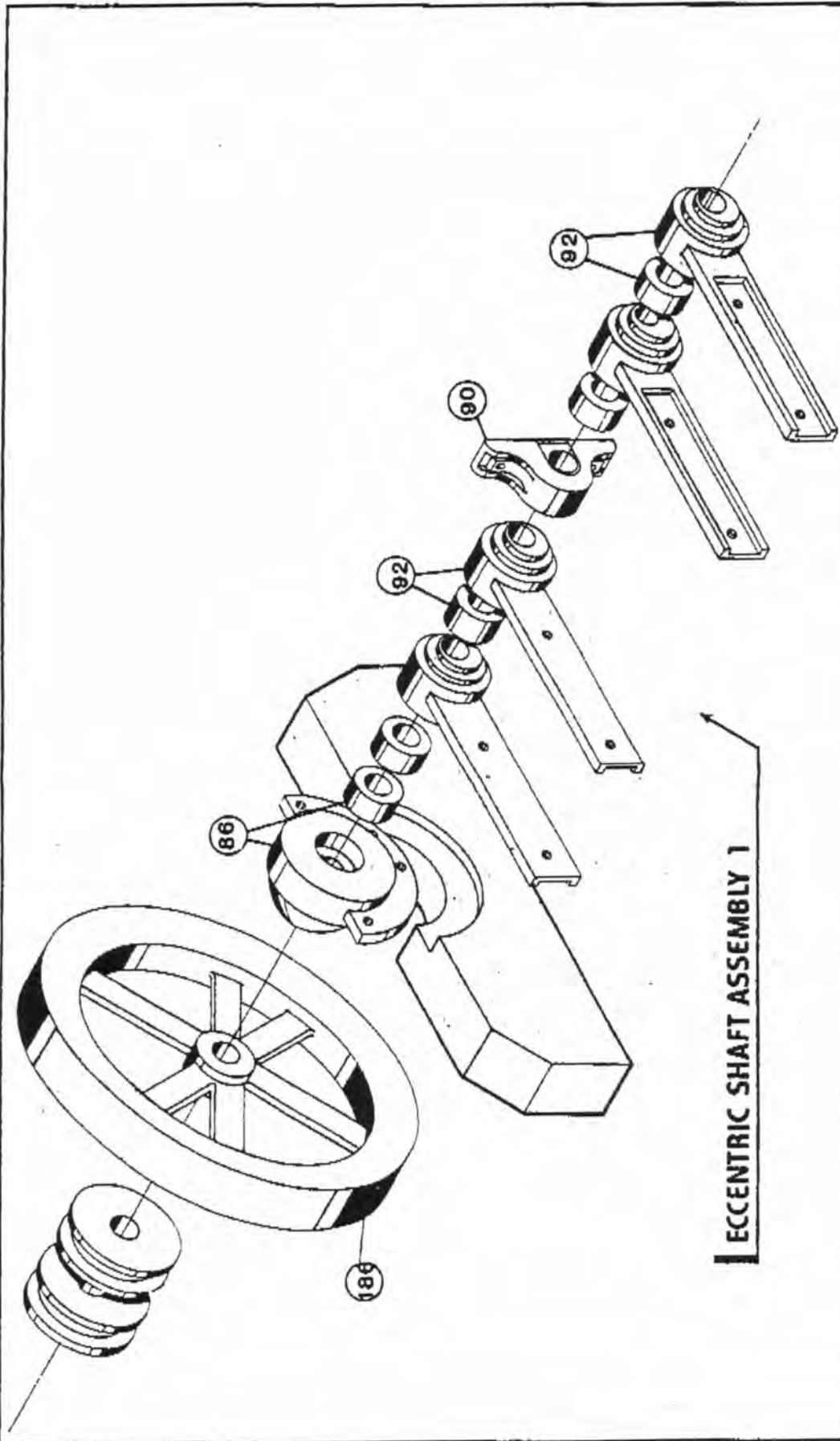
TOP FAN SHAFT ASSEMBLY

FERRELL - ROSS SAGINAW, MICH.		DATE	JOB	REVISION	SCALE	DATE	JOB	REVISION
DWG. NO.					1:1			
MACHI NO.								



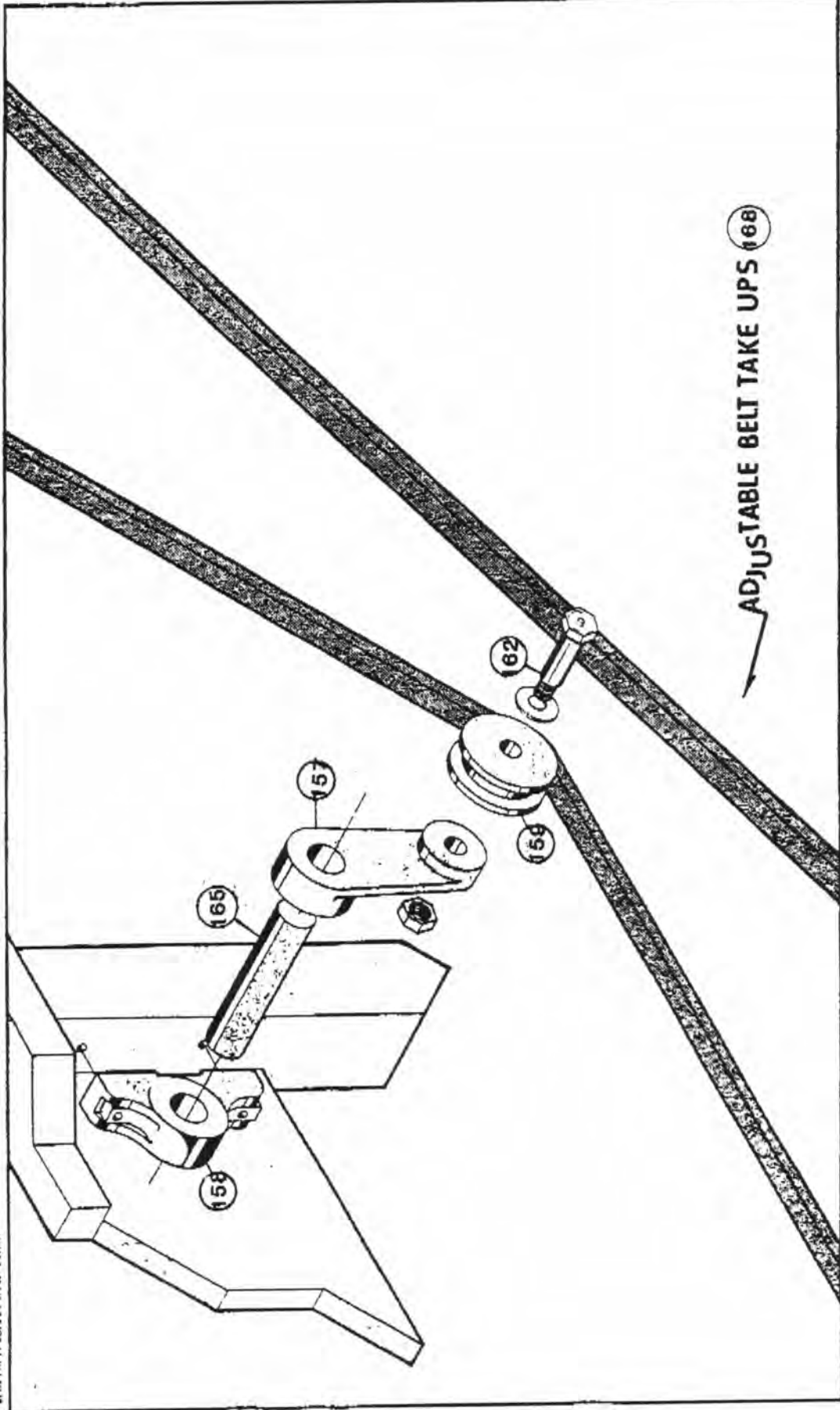
COUNTER SHAFT ASSEMBLY 1

FERRELL - ROSS		MACH. NO.	
SAGINAW, MICH.			
counter shaft assembly 1			DWG. NO.
DWN. BY	J. B.	SCALE	DATE 1-78



ECCENTRIC SHAFT ASSEMBLY 1

SYM		REVISION	DATE	BY	SCALE	DATE	DWG. NO.	
							007	
							FERRELL - ROSS	
							SAGINAW, MICH.	
							MACH. NO.	
							DWG. NO.	
							ECCENTRIC shaft assembly 1	



BLUE PRINT SUPPLY BOOK 163317

ADJUSTABLE BELT TAKE UPS (168)

TYPE	REVISION	DATE	BY	DATE	SCALE	DATE	SCALE	DATE	SCALE

FERRELL - ROSS SAGINAW, MICH		MACH NO.
adjustable belt take ups		DWG. NO.

Clipper®**SUPER 248DH PARTS LIST****TOP FAN SECTION**

<u>No.</u>	<u>Part Number</u>	<u>Qty.</u>	<u>Description</u>
1	F010 05500	3	Universal Joint
2	F011 00700	4	2" x 2" x 2" Angle
3	F010 13500	2	Top Air Valve Control Assembly
4	F053 13000	2	Adjusting Handle Bearing
5	F016 02600	1	1-15/16" x 85-3/4" Top Fanshaft
6	F016 13800	2	3/4" x 2-1/2" Front Damper Shaft
7	F016 13902	1	3/4" x 2-1/2" Front Damper Shaft-Keyed
*	F016 03910	1	3/4" x 17" Damper Shaft-Keyed
8	F018 05800	2	6" Screw Shaft-5/8" Shank
9	F924 01150	2	1-15/16" Pillow Block Bearing
10	F043 03128	1	Adjusting Handle & Crank-28" Long
11	F043 03122	1	Adjusting Handle & Crank-22" Long
12	F043 13500	2	Swivel Plate
**	F043 13100	2	Plain Pivot Nut
13	F043 14800	2	Swivel arm Pivot Lever
**	F043 13200	2	Threaded Pivot Nut
14	F050 03900	2	Top Fan Bleeder Inlet Slide Assembly
15	F050 07000	1	Air Damper w/End Castings & Shafts
**	F050 07200	1	Back air Damper w/End Castings & Shafts
16	F011 00201	4	Valve End Castings
17	F055 02500	2	10" Wide, High Static Fan Assembly
18	F055 01203	1	Top Fan Housing-Right Side
**	F055 01206	1	Top Fan Housing-Left Side

TOP AIR LIFTINGS CONVEYOR

<u>No.</u>	<u>Part Number</u>	<u>Qty.</u>	<u>Description</u>
19	F125 03726	1	Top Air Spiral Box Assy-LH Machine
**	F125 03725	1	Top Air Spiral box Assy-RH Machine
20	F128 00100	2	Spiral box Liner 34 1/2"
21	F129 00305	1	Spiral on Shaft 84"-LH Machine
**	F129 00205	1	Spiral on Shaft 84"-RH Machine
22	F924 60301	2	Flangette Bearings for Conveyor
23	F924 60310	4	Flangette Stampings
24	F125 02300	1	Flipper Type Discharge
25	F125 02370	1	Diagonal brace

** Refers to the previous listing number. May give parts within that assembly, right side-left side numbers, or numbers for parts that are specific to RH or LH machines.

Clipper®**SUPER 248DH PARTS LIST****BRUSH ADJUSTING SYSTEM**

<u>No.</u>	<u>Part Number</u>	<u>Qty.</u>	<u>Description</u>
26	F010 04902	1	Scalper Brush Adj.-Idler Side-LH Machines
**	F010 04901	1	Scalper Brush adj.-Idler Side-RH Machines
27	F01 03001	1	Scalper Brush Adj.-Control Side-LH Machines
**	F010 03002	1	Scalper Brush Adj.-Control Side-RH Machines
28	F010 05001	8	Dbl. Brush Adj. Assy.-Idler side-LH Machines
**	F010 05002	8	Dbl. Brush Adj. Assy.-Idler Side-RH Machines
29	F011 06300	8	Arm for Dbl. Brush Adj. Assy.-Idler Side
30	F011 06102	8	Idler Side Plate Only-LH Machines
**	F011 06104	8	Idler Side Plate Only-RH Machines
31	F011 06004	4	Brush Adj. Plate-High Control Side-RH Machine
**	F011 06002	4	Brush Adj. Plate-High Control Side-LH Machine
32	F011 06401 (1)	2	Dbl. Brush Adj. Lever-Left Hand-High Side
**	F011 06402 (2)	2	Dbl. Brush Adj. Lever-Right Hand-High side
33	F011 06501 (1)	2	Brush adj. Lever-Left Hand-Low End
**	F011 06502 (2)	2	Brush adj. Lever-Right Hand-Low End
34	F011 06103	4	Brush Adj. Plate-Low End-LH Machines
**	F011 06106	4	Brush adj. Plate-Low End-RH Machines
35	F018 04720	2	Straight Connecting Bar 38"
36	F018 06800	2	Bent Connecting Bar 38"
37	F011 01500	20	Rope Sheave Bracket Only
38	F010 00200	20	Rope Sheave assembly Complete
39	F010 01310	2	Rope stool 3 3/4"
40	F011 04300	20	One Hole Plate
41	F820 80060	10	Bolt for brush Adjusters
42	F014 01300	20	Rope Sheave Only-3"
43	F016 12130	10	Brush Carrier Shafts 1 3/16" x 68"
44	F018 02401	20	Rope Sheave Axle w/Hardware
45	F118 06401	2	Jack Plates-3 Hole-Left Hand
**	F118 06402	2	Jack Plates-3 Hole-Right Hand
46	F095 01400	20	Brush Carrier Roller 1 3/16"
47	F095 01700	2	Brush Carrier assembly-72"-Brush not inc.
**	F095 01600	2	Brush Carrier Assembly-46"-Brush not inc.
**	F095 00000	1	Brush Carrier Assy.-?-Brush not inc. Specify 18" or 25" Carriers
48	F098 00100	5	2 Pc. Cable Clamps
49	F098 02401	20	Carrier Roller Axle w/Hardware
(1)	Use these as Follows--		RH Machines on 60" Scalping Screens LH Machines 86" Sifting Screens
(2)	Use These as Follows--		RH Machines on 86" Sifting Screens LH Machines on 60" Scalping Screens

BACK AIR DISCHARGE VALVE

<u>No.</u>	<u>Part Number</u>	<u>Qty.</u>	<u>Description</u>
50	F045 01000	1	Discharge Valve Assembly
51	F046 03700	2	Valve Slide
52	F046 03830	1	Valve Grain Slide
53	F046 03840	1	Deflector
54	F048 02810	1	Valve Metal 6 7/8" x 60"
**	F048 02820	1	Valve Metal 5 3/8" x 60"
**	F048 02830	1	Valve Metal 11 1/8" x 60"
**	F048 02840	1	Valve Metal 9 3/8" x 60"
**	F048 02850	1	Valve Metal 24" x 60"



SUPER 248DH PARTS LIST

BACK AIR LIFTINGS AUGER

<u>No.</u>	<u>Part Number</u>	<u>Qty.</u>	<u>Description</u>
55	F125 03726	1	Top Air Spiral Box Assy-LH Machine
**	F125 03725	1	Top Air Spiral Box Assy-RH Machine
56	F128 00100	2	Spiral Box Liner 34 $\frac{1}{2}$ "
57	F129 00305	1	Spiral on Shaft 84"-LH Machine
**	F129 00205	1	Spiral on Shaft 84"-RH Machine
58	F924 60301	2	Flangette Bearings for Conveyor
59	F924 60310	4	Flangette Stampings

COUNTERSHAFT ASSEMBLY

<u>No.</u>	<u>Part Number</u>	<u>Qty.</u>	<u>Description</u>
72	F016 15110	1	Top Countershaft 1 $\frac{1}{2}$ " x 85 $\frac{1}{2}$ "
73	F924 41083	1	7475 Pillow Block Bearing Complete
**	F924 00026	1	1 $\frac{1}{2}$ " Bearing Only for 7475 Bearing
74	F924 52090	1	B-34 Thrust Bearing
75	F924 01080	1	1 $\frac{1}{2}$ " Pillow Block bearing
76	F197 00800	1	Hand Nut for 1 $\frac{1}{2}$ " Shaft
78	F197 01100	1	9" Dia. 1 $\frac{1}{2}$ " Bore Stationary Disc(VSS)
79	F197 00900	1	9" Dia. 1 $\frac{1}{2}$ " Bore Spring End Disc(VSS)
81	F927 00007	1	10" spring
82	F198 03600	2	3/8" x 5" Keys
83	F198 03700	2	3/8" x 4 $\frac{1}{2}$ " Keys
84	F198 06200	1	Zerk w/Plug for Adjusting Plug

ECCENTRIC SHAFT ASSEMBLY

<u>No.</u>	<u>Part Number</u>	<u>Qty.</u>	<u>Description</u>
85	F016 01901	1	Scalper Eccentric Shaft 1 $\frac{1}{2}$ " x 75"
**	F016 11020	1	Top Eccentric Shaft 1 $\frac{1}{2}$ " x 75 $\frac{1}{2}$ "
**	F016 27900	1	Bottom Eccentric Shaft 1 $\frac{1}{2}$ " x 8 $\frac{1}{2}$ "
86	F920 53126	1	6714 1 $\frac{1}{2}$ " Flange Bearing Conversion Kit
**	F924 00022	1	6714 1 $\frac{1}{2}$ " Old Style Bearing Insert
87	F924 41082	1	7475 1 $\frac{1}{2}$ " Halfmoon Bearing Complete
**	F924 00026	1	7475 1 $\frac{1}{2}$ " Halfmoon Bearing Insert
88	F018 06907	2	Eccentric Shaft Mounting Girt
**	F018 04000	2	Scalper Counterweight 3" x 2 $\frac{1}{2}$ "
89	F924 52090	1	B-34 Thrust Bearing
90	F924 01080	1	1 $\frac{1}{2}$ " Pillow block bearing
91	F195 04876	2	Scalper Shoe Pitman
**	F196 00401	1	Pitman-Right Side, Bottom Shoe
**	F196 00402	1	Pitman-Left Side, Bottom Shoe
**	F196 04110	1	Pitman (Wood)-Top Shoe
**	F196 04120	1	Pitman (Wood)-Top Shoe
92	F195 03600	4	1 $\frac{1}{2}$ " x 4" Throw Eccentric Assembly
**	F195 03601	2	1 $\frac{1}{2}$ " x 3/8" Throw Eccentric Assembly
**	F924 00053	6	ER 35 Bearing for Eccentric Assembly
**	F198 04004	4	1 $\frac{1}{2}$ " x 4" Throw Eccentric Hub
**	F198 04003	2	1 $\frac{1}{2}$ " x 3/8" Throw Eccentric Hub
93	F197 01000	1	9" Dia. 1 $\frac{1}{2}$ " Bore Thrust End Disc
94	F197 01100	1	9" Dia. 1 $\frac{1}{2}$ " Bore Stationary Disc
95	F195 00720	1	1 $\frac{1}{2}$ " Adjusting Nut
96	F198 03700	2	3/8" x 4 $\frac{1}{2}$ " Keys

Clipper®

SUPER 248DH PARTS LIST

SCALPER SHOE ASSEMBLY

<u>No.</u>	<u>Part Number</u>	<u>Qty.</u>	<u>Description</u>
97	F030 01100	1	Scalper Shoe Assembly
98	F031 26410	1	Right Shoe Side
**	F031 26420	1	Left Shoe side
99	F030 16900	1	Screen blank(Shoe Bottom)
100	F033 05401	1	Rubber Holding Strip 60" (Cut to Fit)
101	F033 05702	2	Holding Strip Cap 26 1/2"
102	F033 05701	1	Screenway Liner-Right Side
**	F033 05202	1	screenway Liner-Left Side
103	F033 32101	2	Grain Shield
104	F033 28700	2	Grain Deflector
105	F033 22601	1	Front Hanger Plate-Left Side
**	F033 22602	1	Front Hanger Plate-Right Side
**	F033 02100	2	Rear Hanger Plate
**	F027 05600	4	Millside Hanger Plate
**	F186 02821	2	6" Hanger Assembly-Left Side
**	F186 02822	2	6" Hanger assembly-Right Side
106	F035 00800	2	Screen Hooks
107	F034 01001	2	Screenway Rubber 26 1/2"
108	F010 03400	1	Divider Pan Assembly (Splitter)--or--
**	F010 03700	1	Quick Changeover Assembly (Splitter)
**	F031 06301	1	Screen Stop-Left Side
**	F031 06302	1	Screen Stop-Right Side
**	F033 04820	2	Threaded Tie Rod
**	F030 01210	1	Eccentric Drive Bearing Plate-Keyed
**	F030 01220	1	Eccentric Drive Bearing Plate-No Key

Clipper® SUPER 248DH PARTS LIST

TOP SHOE ASSEMBLY

<u>No.</u>	<u>Part Number</u>	<u>Qty.</u>	<u>Description</u>
109	F030 13701	1	Top shoe Complete-RH Discharge
**	F03 13702	1	Top Shoe Complete-LH Discharge
110	F186 02802	2	Shoe Hanger Right-Side w/Outer Race
111	F186 02801	2	Shoe Hanger Left-Side w/Outer Race
**	F019 05910	1	Spreader Board Extension 2"
**	F924 31000	8	Hanger Bearing Inner Race
**	F924 31040	8	Hanger Bearing Outer Race
112	F027 05600	4	Millside Hanger Brackets
113	F031 26501	1	Right Shoe Side
**	F031 26502	1	Left Shoe Side
114	F033 05900	2	Pitman Mounting Angle
**	F033 10400	2	Pitman Support Plate
115	F033 25810	1	Shoe Bottom Metal 32" x 55½"
**	F033 25830	1	Shoe Bottom Metal 22" x 55½"
**	F033 25870	1	Shoe Bottom Metal 35" x 55½"
116	F035 00800	4	Screen Hook
117	F033 22403	1	Shoeside Hanger bracket-Left Rear
**	F033 22402	1	shoeside Hanger bracket-Right Rear
**	F033 22502	1	Shoeside Hanger bracket-Right Front
**	F033 22503	1	Shoeside Hanger bracket-Left Front
118	F033 05803	2	91½" Screenway Liners
**	F033 05819	2	60" Screenway Liners
119	F038 01000	4	Screen Stops 4½"
120	F038 01100	2	60" Rubber Holding strip
**	F038 01109	2	91½" Rubber Holding Strips (Cut to Fit)
121	F033 30400	2	Deflectors
122	F034 00504	2	60" Rubber Seal
**	F034 00506	2	86" Rubber Seal
123	F083 05400	1	Straw Spout
**	F031 07000	2	Spout Track
**	F033 06410	2	Spout Slide
**	F083 08700	1	Sand Spout

BOTTOM SHOE ASSEMBLY

<u>No.</u>	<u>Part Number</u>	<u>Qty.</u>	<u>Description</u>
124	F030 13801	1	Bottom Shoe Complete-RH Machines
**	F030 13802	1	Bottom Shoe Complete-LH Machines
125	F186 02802	2	Shoe Hanger Right-Side w/Outer Race
126	F186 02801	2	Shoe Hanger Left-Side w/Outer Race
**	F924 31000	8	Hanger Bearing-Inner Race
**	F924 31040	8	Hanger bearing Outer Race
127	F027 05600	2	Front Millside Hanger Bracket
128	F033 19201	2	Rear Millside Hanger Brackets
129	F033 22403	1	Shoeside Hanger Bracket-Left Rear
130	F033 22402	1	Shoeside Hanger Bracket-Right Rear
131	F033 24903	1	Shoeside Hanger Bracket-Right Front
132	F033 24902	1	Shoeside Hanger Bracket-Left Front
133	F031 26600	1	Right Shoe Side
134	F031 26601	1	Left Shoe Side
135	F033 05900	2	Pitman Mounting Angle
136	F033 10300	2	Pitman Plate
137	F033 07201	1	Shoe Shield-Right Side



SUPER 248DH PARTS LIST

BOTTOM SHOE ASSEMBLY cont.

<u>No.</u>	<u>Part Number</u>	<u>Qty.</u>	<u>Description</u>
**	F033 07202	1	Shoe shield-Left Side
139	F033 25840	1	Bottom Shoe Metal 35 1/3" x 55 1/2"
**	F033 25810	1	Bottom Shoe Metal 32" x 55 1/2"
**	F033 25860	1	Bottom Shoe Metal 32" x 55 1/2"
140	F019 20700	2	Spreader Board Extension 6"
141	F035 00800	4	Screen Hooks
142	F033 05812	2	66" Screenway Liners
**	F033 05813	2	95 1/2" Screenway Liners
144	F033 05703	2	91 1/2" Rubber Holding Strip Cap
**	F033 05710	2	66" Rubber Holding Strip Cap
145	F033 05401	6	60" Rubber Holding Strip (cut to fit)
147	F034 00510	2	66" Rubber Seal
**	F034 00502	2	91 1/2" Rubber Seal
148	F083 05400	1	Straw Spout
149	F083 08700	1	Sand Spout
150	F031 07000	2	Spout Track
151	F033 06410	2	Spout Slide

MISCELLANEOUS PARTS

<u>No.</u>	<u>Part Number</u>	<u>Qty.</u>	<u>Description</u>
155	F011 00100	4	Idler Pivot Lever
156	F011 03300	4	1" CI Pillow Blocks
157	F014 00700	4	Idler Sheave w/Bushing
**	F010 04120	1	2 Groove Idler Sheave
**	F010 03920	1	3 Groove Idler Sheave
158	F086 00200	2	Catchall Holder
159	F085 00700	1	Front Catchall Spout
160	F018 05010	4	Belt Tightner Axle w/Hardware
161	F924 60200	4	1 3/16" bearing
163	F018 06200	4	2 1/2" Belt Take Up Shaft
**	F018 06201	1	3 1/2" Belt Take Up Shaft
**	F018 06202	1	5 1/2" Belt Take Up Shaft
164	F010 04100	1	2 Groove Belt Idler Assembly
165	F034 02200	1	Canvas apron Assembly
166	F010 02801	1	Belt Idler Assembly complete 2 1/2"
**	F010 02802	1	Belt Idler Assembly Complete 3 1/2"
**	F010 02803	1	Belt Idler Assembly Complete 5 1/2"
167	F085 00404	1	Front Feed Spout
168	F080 03400	1	Back Feed Spout
169	F088 00501	2	Front Feed Spout Hanger Plate-Right Side
170	F088 00502	2	Front Feed Spout Hanger Plate-Left Side

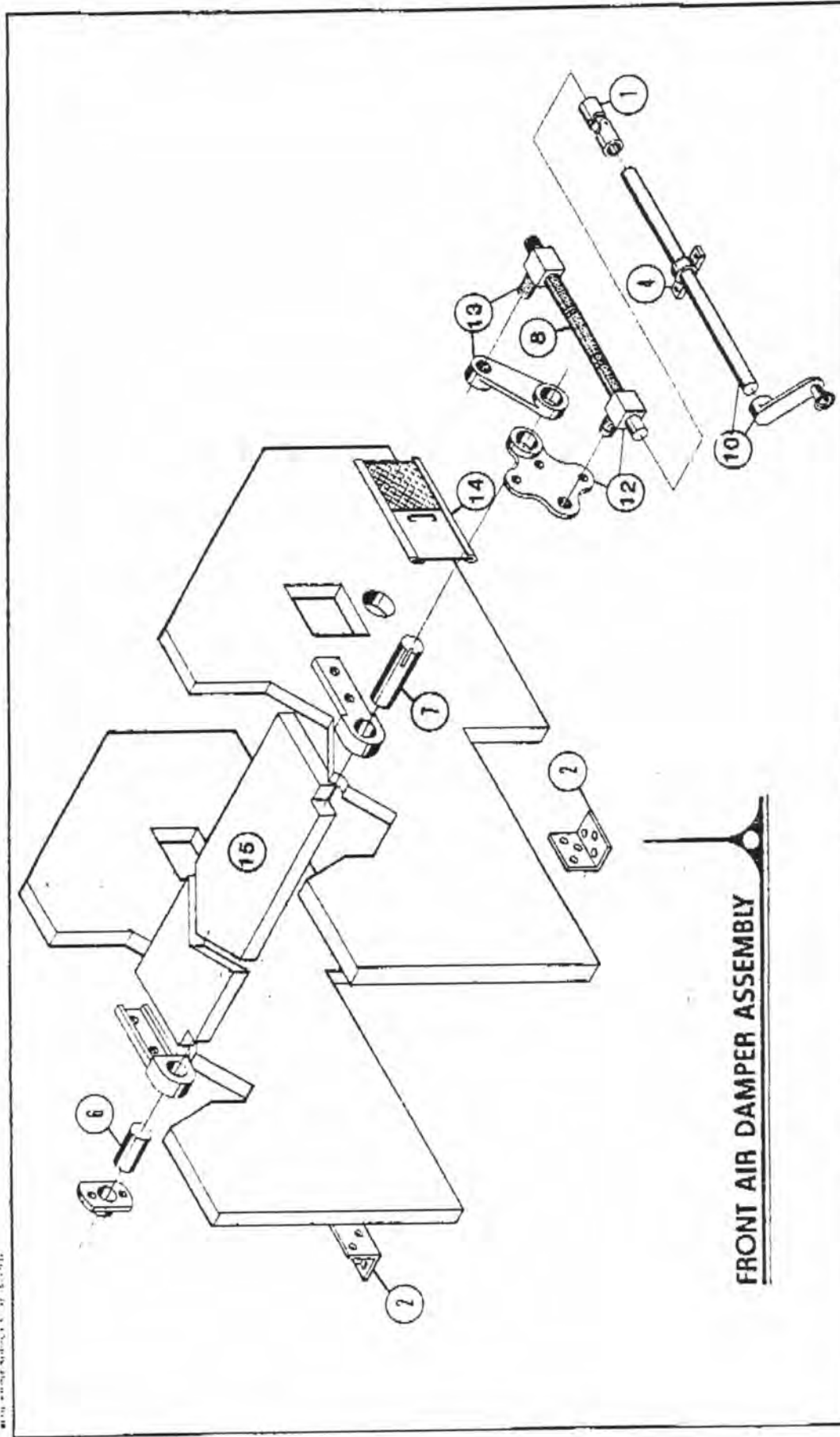
Clipper

SUPER 248DH PARTS LIST

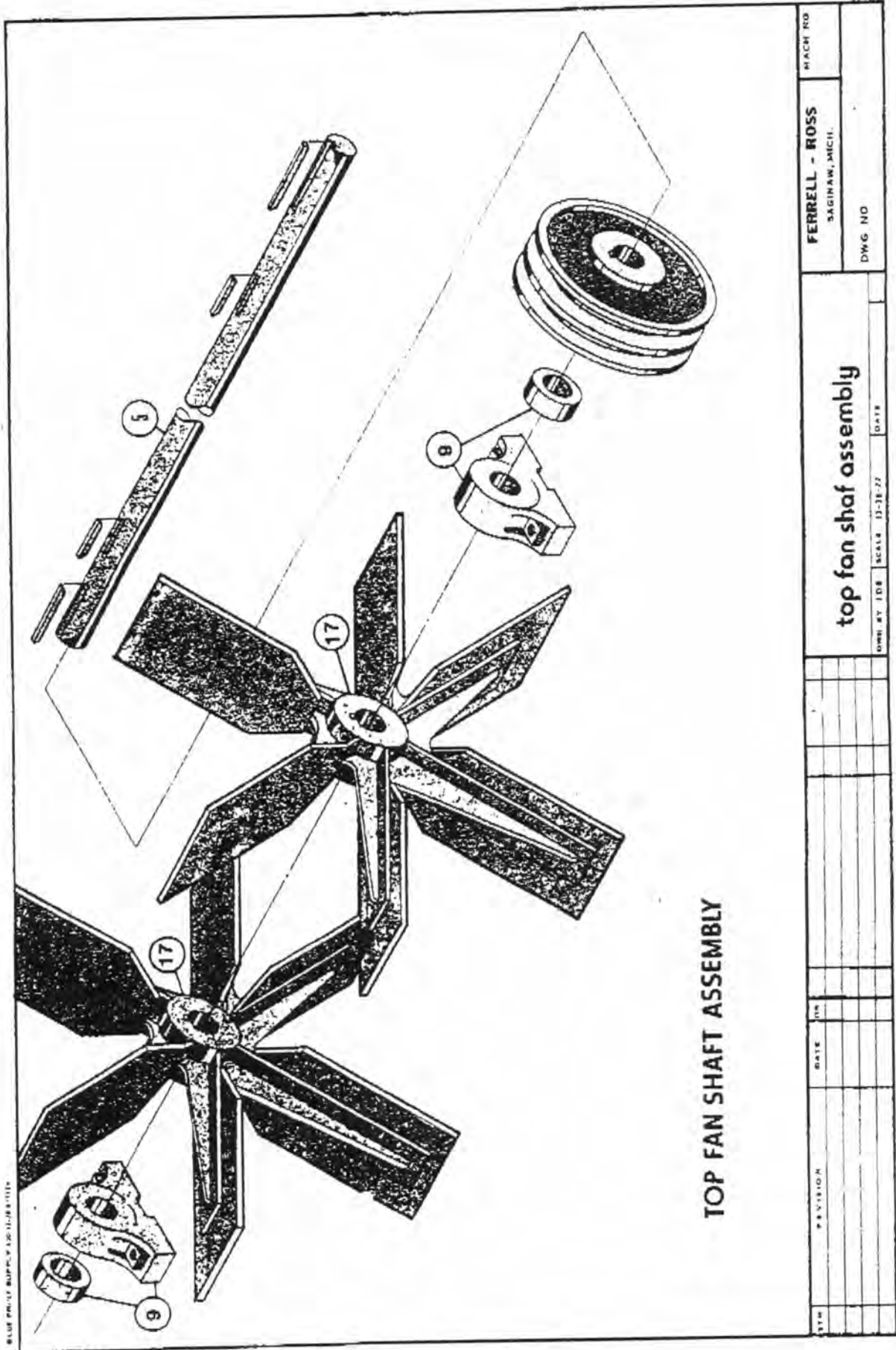
PULLEYS & BELTS

<u>No.</u>	<u>Part Number</u>	<u>Qty.</u>	<u>Description</u>
172	F911 80017	1	ATF 17 Variable Shoe Shake Regulator belt
173	F911 62105	4	1000 RPM Back Mount Fan Drive Belts-B120
**	F919 42064	1	4B6.4 Top Fan Drive Sheave
**	440 10720	1	SD Bushing 1 5/8"
**	F919 42124	1	4B12.4 top Fan Shaft Driven Sheave
**	440 10925	1	SK Bushing 1 15/16"
174	F911 62096	1	Top Air Screw to Back Screw Belt-B96
**	431 10115	2	B5.4 Drive Sheave
**	F440 10513	2	SDS Bushing 1 3/16"
175	F911 62081	1	Cntrshaft to Brush Jack Drive Belt-B81
**	F013 02600	1	BK3.0 1 1/2" Pulley See brush Jack Parts List for Driven Pulley
176	F930 49000	79"	Top Ecc. to Scalper Ecc. Chain-No. 50
**	F019 08800	2	26 Tooth sprockets
**	F010 03304	1	Chain Idler
178	F911 62090	1	Scalper ecc to Top air Auger Drive Belt-B79
**	431 10079	1	B3.6 Auger Drive Sheave
**	440 10918	1	SK Bushing 1 1/2"
**	F919 12184	1	B18.4 Auger Driven Sheave
**	F440 10913	1	SK Bushing 1 3/16"
179	F911 62158	3	900 RPM Fan to Top Cntrshaft Drive Belts-B158
**	F919 32068	1	3B6.8 Countershaft Drive Sheave
**	F440 10725	1	SDS Bushing 1 15/16"
**	F919 32136	1	3B13.6 Countershaft Driven Sheave
**	440 10518	1	SDS Bushing 1 1/2"
181	F930 49000	57 1/2"	Top to Bottom Eccentric Chain-No. 50 Chain
**	F019 08800	2	26 Tooth Sprocket
**	F010 03302	1	Chain Idler
183	F911 62112	1	Countershaft to Hopper Drive Belt-B112
**	F013 02600	1	B3.0 Hopper Drive Sheave See Hopper Parts List for Driven Pulley ---or---
184	F911 75960	1	Top Cntrshaft to Variable Unit Belt-5L960
**	F911 75980	1	Variable Unit to Hopper Belt-5L980
**	F013 01201	1	BK4.0 Countershaft Drive Pulley
185	F013 07500	1	19" Flywheel 1 1/2"

** Refers to the previous listing number. May give parts within that assembly, right side-left side numbers, or numbers for parts that are specific to RH or LH machines.



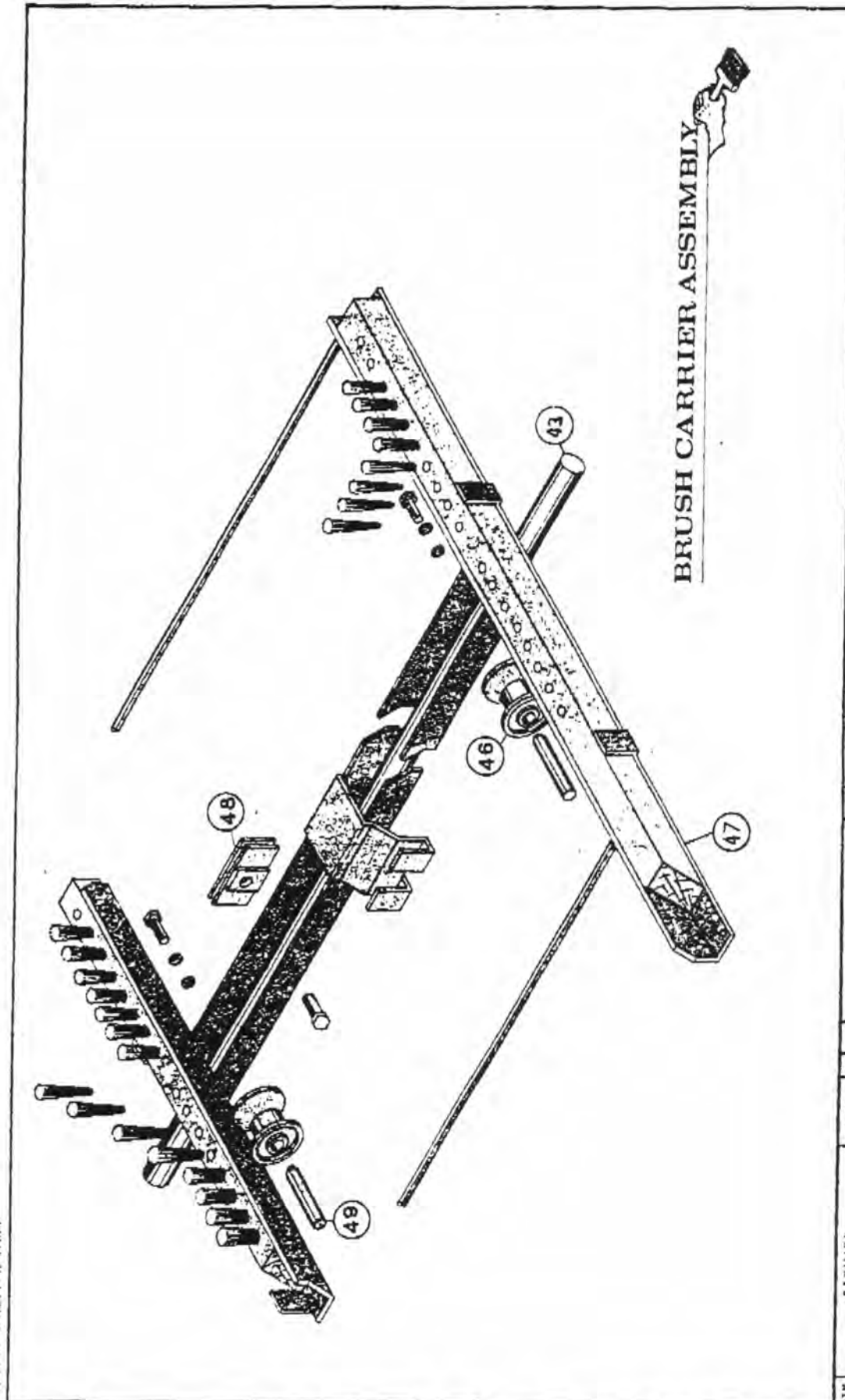
FRONT AIR DAMPER ASSEMBLY



BLUE PRINT SUPPLY CO. 11-28-1112

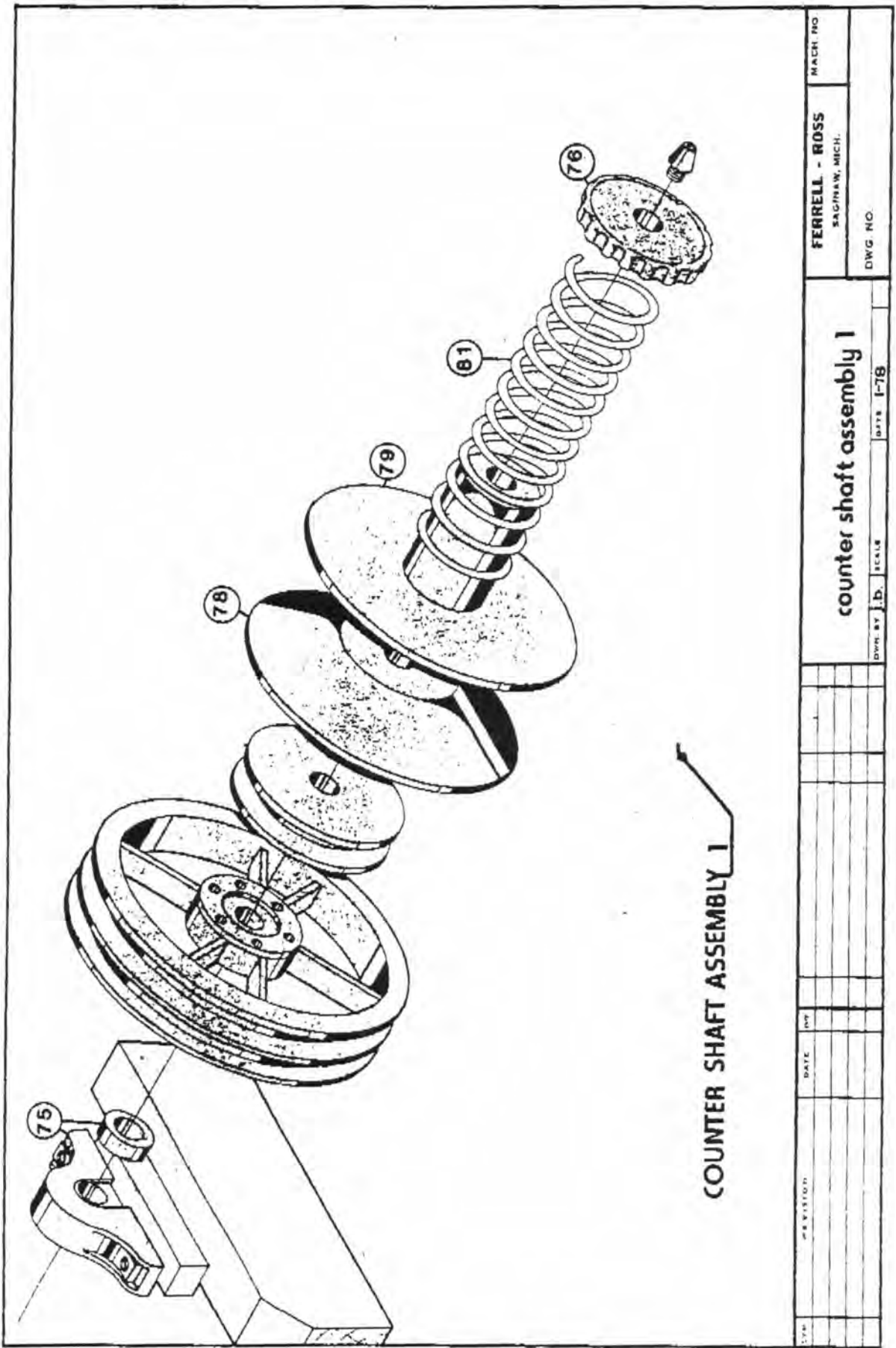
TOP FAN SHAFT ASSEMBLY

ITEM	REVISION	DATE	BY	DATE	SCALE	11-28-11	DATE	DWG NO	FERRELL - ROSS SAGINAW, MICH.	W/ACT NO



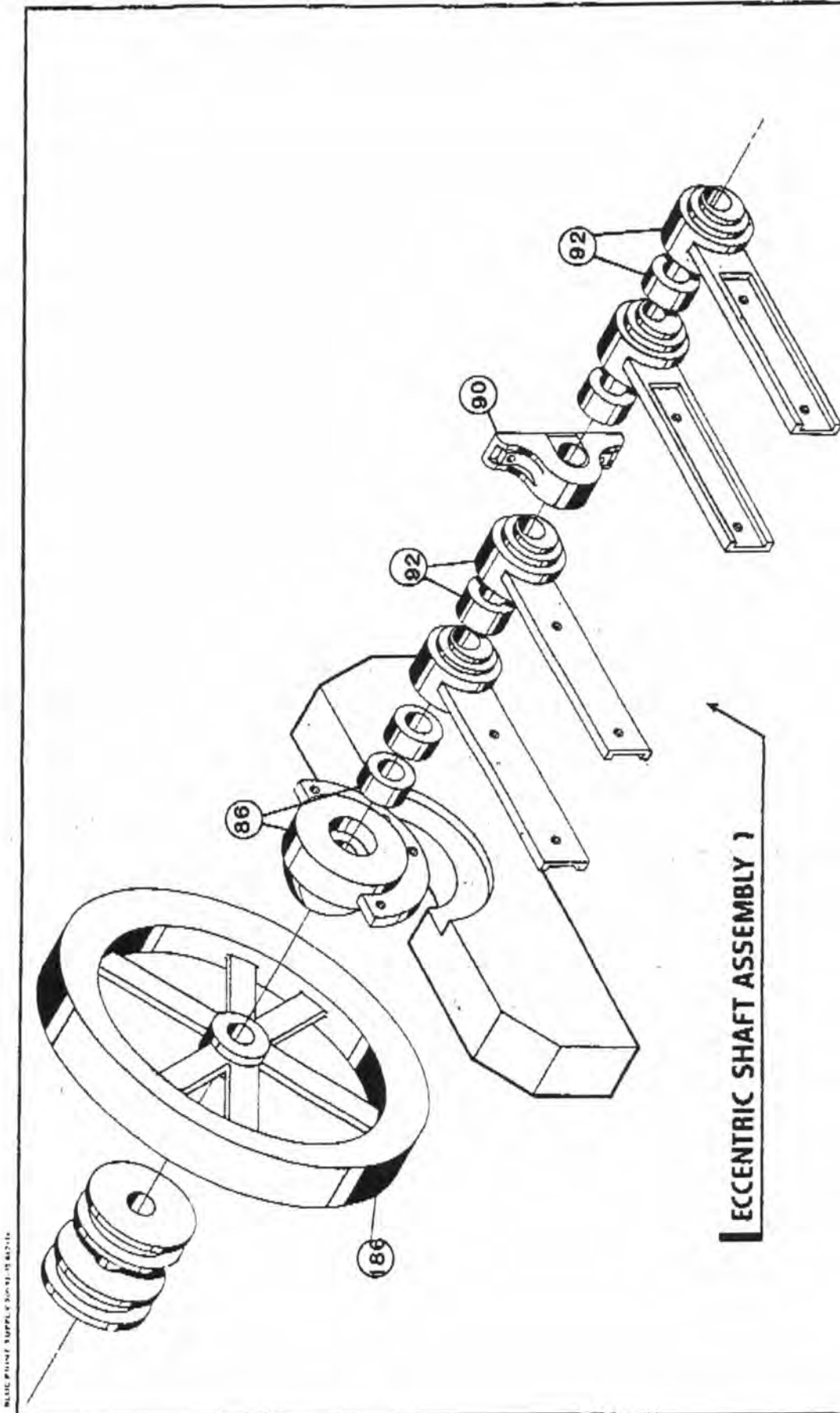
BRUSH CARRIER ASSEMBLY

FERRELL - ROSS SAGINAW, MICH.		MACH NO	
brush carrier assembly		DWG NO	
DWN BY JDS	SCALE	DATE 11/18/11	
REV	REVISION	DATE	BY



COUNTER SHAFT ASSEMBLY 1

DATE		REV	DATE	REV	DATE	REV	DATE	REV	DATE	REV	DATE	REV	DATE	REV					
OPERATION										DWG NO.		DATE		SCALE		DATE			
										1-78		b		1-78					
FERRELL - ROSS SAG/HAW, MICH.										MACH NO		DWG NO							
counter shaft assembly 1																			



BLUE PRINT SUPPLY COMPANY INC.

<p>FERRELL - ROSS SAGINAW, MICH.</p>		<p>MACH. NO.</p>
<p>eccentric shaft assembly 1</p>		<p>DWG. NO.</p>
<p>REV.</p>	<p>REVISION</p>	<p>DATE</p>
<p>DRAWN BY</p>	<p>SCALE</p>	<p>DATE</p>