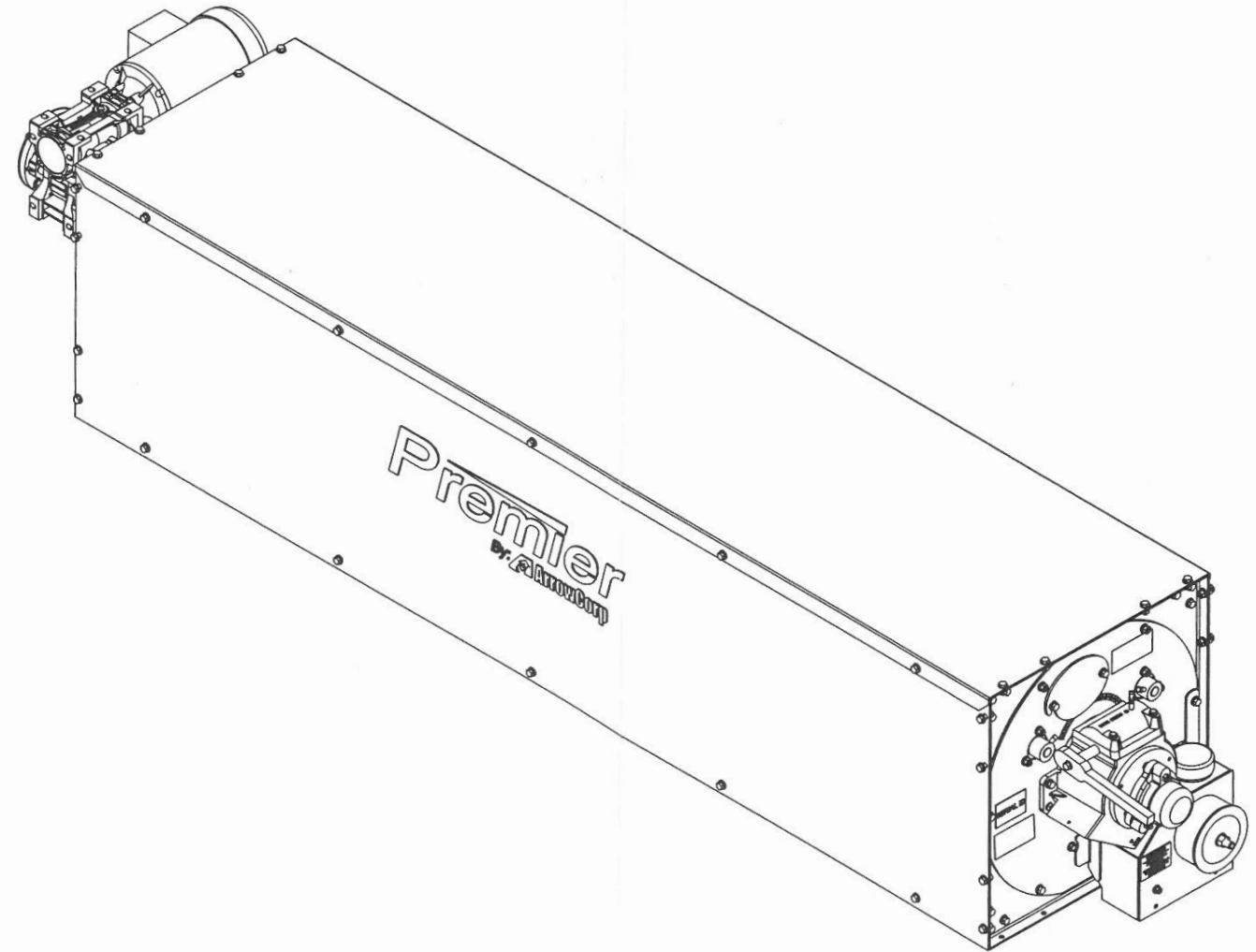
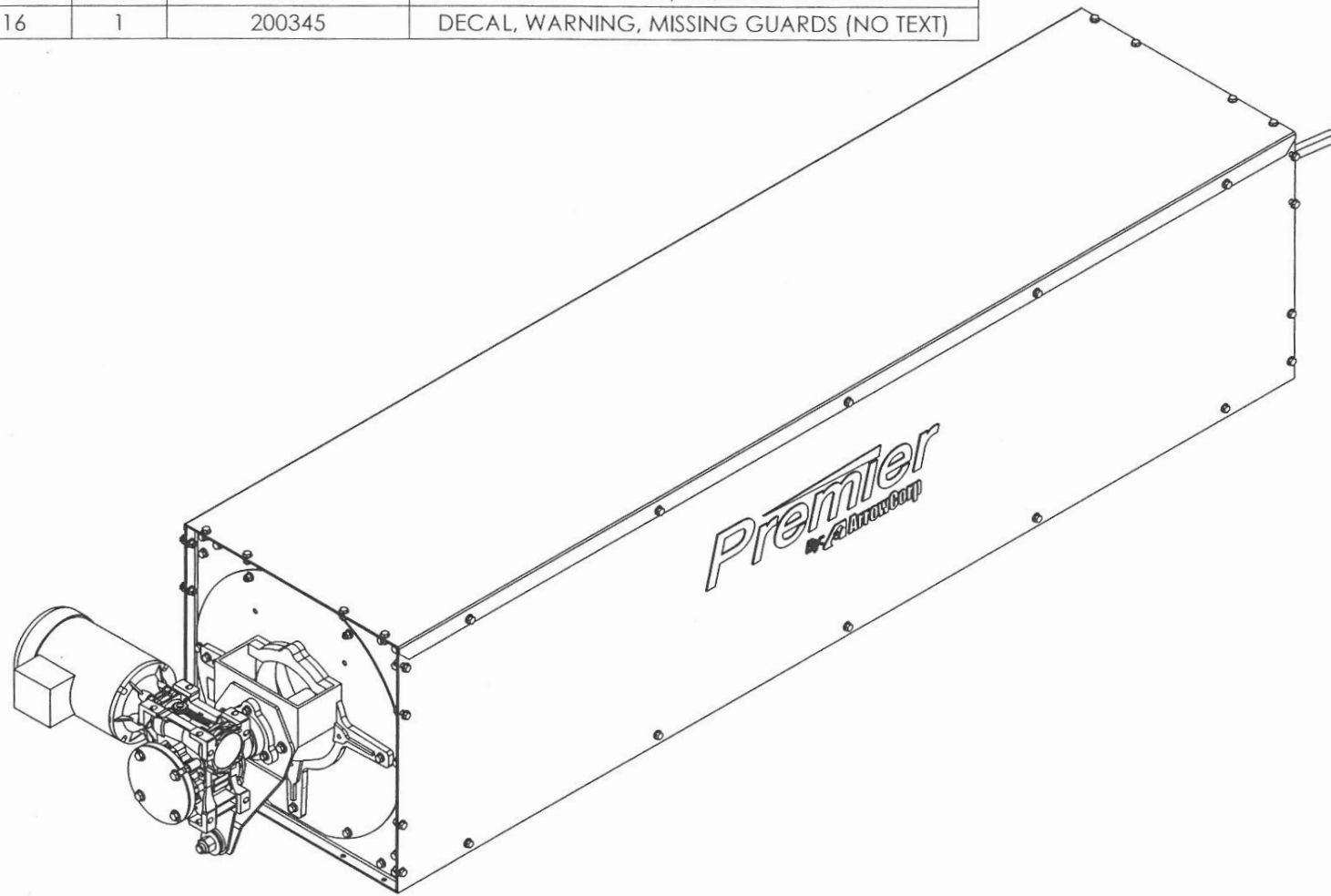


PARTS MASTER LIST			
ITEM NO.	QTY.	PART NUMBER	DESCRIPTION
1	1	30-200473-F	FRAME ASSEMBLY 17" SINGLE
2	1	CA1723E200475-5L	CYL, #23 X 17" CYLINDER ASSEMBLY WITH 30-200475 CONVEYOR
3	1	30-200476-S	FRONT END PLATE ASSEMBLY
4	1	30-200474-G	MOTOVARIO DRIVE ASSY, 1-5/16 BORE 56C/143TC
5	1	30-200479-F	COVER ASSEMBLY
6	1	30-200303-K	SPOUT- TAILING TOP
7	1	P2407	3 INCH CAP X 1 INCH, FOR AIR DISCHARGE ON TAILING TOP SPOUT
8	1	271551	PLUG 5"
9	1	DECAL #6 CCW	DECAL, WARNING ROTATION
10	2	DECAL #3	DECAL, PREMIER MACHINE LABEL W/ML 24"
11	1	30-200300-K	REAR ENDPLATE ASSEMBY 17" SINGLE
12	1	GHV0014C	MTR 1 HP 1800RPM TEFC 56C-FACE 230/460 3-60 TECO
13	2	200343	DECAL, CAUTION READ OPERATORS MANUAL
14	1	200344	DECAL, DANGER ELECTROCUTION
15	1	SERIAL/ID	SERIAL NUMBER / EQUIPMENT ID TAG
16	1	200345	DECAL, WARNING, MISSING GUARDS (NO TEXT)

MASTER HARDWARE LIST			
ITEM NO.	QTY.	PART NUMBER	DESCRIPTION
1	13	5/16FW	WASHER, 5/16", FLAT
2	13	5/16LW	WASHER, 5/16", LOCK
3	7	5/16X3/4HHCS	BOLT, 5/16"-18 NC X 3/4", HHCS, PLATED, GRADE 5
4	4	5/16NUT	NUT, 5/16"-18 NC, HEX, PLATED, GRADE 5
5	1	5/16X3/4FHCS	SCREW, 5/16"-18 NC X 3/4", FLAT HEAD, CAP
6	2	5/16X1HHCS	BOLT, 5/16"-18 NC X 1", HHCS, PLATED, GRADE 5
7	1	1/2NUT	NUT, 1/2"-13 NC, HEX, PLATED, GRADE 5



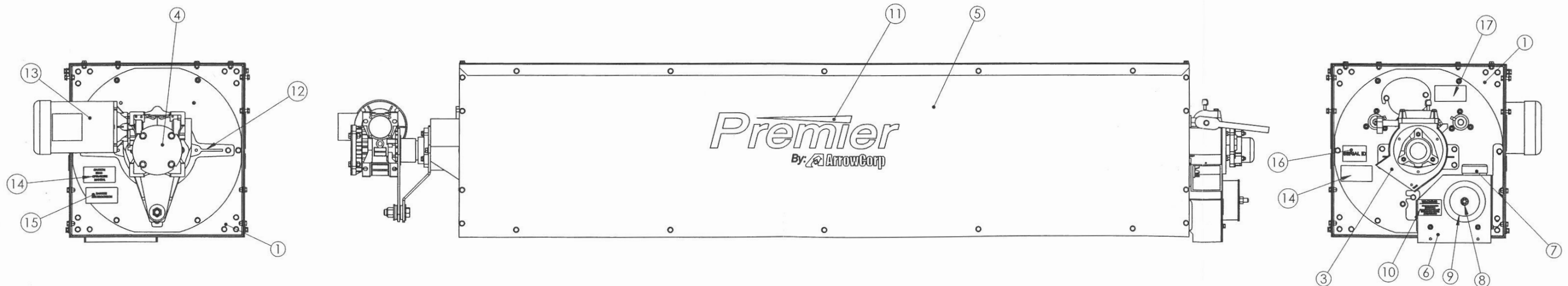
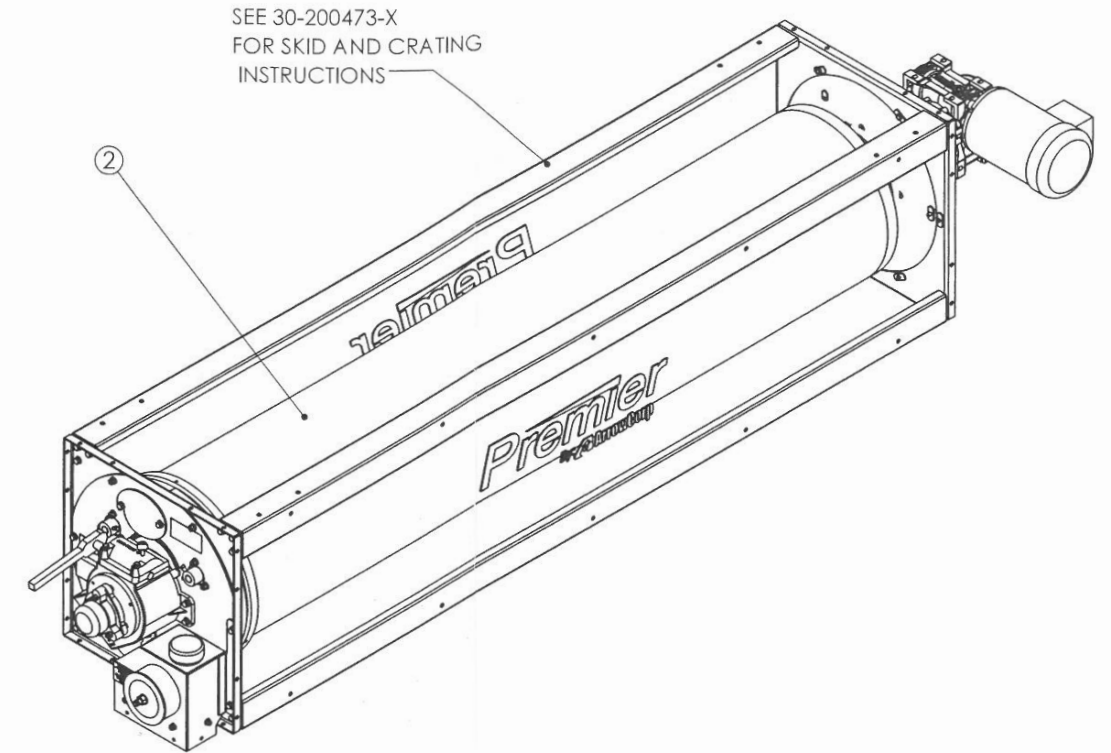
DATE	NO.	DESCRIPTION - REVISION	CHK BY

REFER TO ARROWCORP STANDARD TOLERANCE SHEET FOR SHAFT DIAMETER, KEYSEAT AND KEYWAY TOLERANCES.		DATE: 22-APR-21
DECIMAL: XXX ± 0.500 XX ± 0.125 X ± 0.060	XX ± 0.030 X-XX ± 0.015 X-XXX ± 0.002	DRAWN BY: P PAITZ
FRACTIONS: ± 1/32		CHECKED BY: B PAULSON
ANGULAR: FORMED: ± 1.0 DEG. MACHINED: ± 0.25 DEG.		SCALE: 1:12

**ArrowCorp Premier**  
PRG1-17

SHEET: 1 OF 2 DRAWING NO: SN2020-1-00005 REV: 0

ITEM NO.	QTY.	PART NUMBER	DESCRIPTION	ITEM NO.	QTY.	PART NUMBER	DESCRIPTION
1	1	30-200473-F	FRAME ASSEMBLY 17" SINGLE	9	1	271551	PLUG 5"
2	1	CA1723E200475-5L	CYL, #23 X 17" CYLINDER ASSEMBLY WITH 30-200475 CONVEYOR	10	1	DECAL #6 CCW	DECAL, WARNING ROTATION
3	1	30-200476-S	FRONT END PLATE ASSEMBLY	11	2	DECAL #3	DECAL, PREMIER MACHINE LABEL W/ML 24"
4	4	5/16FW	WASHER, 5/16", FLAT	12	1	30-200300-K	REAR ENDPLATE ASSEMBY 17" SINGLE
4	4	5/16LW	WASHER, 5/16", LOCK	6	6	5/16FW	WASHER, 5/16", FLAT
2	2	5/16X3/4HHCS	BOLT, 5/16"-18 NC X 3/4", HHCS, PLATED, GRADE 5	6	6	5/16LW	WASHER, 5/16", LOCK
2	2	5/16NUT	NUT, 5/16"-18 NC, HEX, PLATED, GRADE 5	4	4	5/16X3/4HHCS	BOLT, 5/16"-18 NC X 3/4", HHCS, PLATED, GRADE 5
1	1	5/16X3/4FHCS	SCREW, 5/16"-18 NC X 3/4", FLAT HEAD, CAP	2	2	5/16NUT	NUT, 5/16"-18 NC, HEX, PLATED, GRADE 5
4	1	30-200474-G	MOTOVARIO DRIVE ASSY, 1-5/16 BORE 56C/143TC	13	1	GHV0014C	MTR 1 HP 1800RPM TEFC 56C-FACE 230/460 3-60 TECO
5	1	30-200479-F	COVER ASSEMBLY	14	2	200343	DECAL, CAUTION READ OPERATORS MANUAL
6	1	30-200303-K	SPOUT- TAILING TOP	15	1	200344	DECAL, DANGER ELECTROCUTION
3	3	5/16FW	WASHER, 5/16", FLAT	16	1	SERIAL/ID	SERIAL NUMBER / EQUIPMENT ID TAG
3	3	5/16LW	WASHER, 5/16", LOCK	17	1	200345	DECAL, WARNING, MISSING GUARDS (NO TEXT)
1	1	5/16X3/4HHCS	BOLT, 5/16"-18 NC X 3/4", HHCS, PLATED, GRADE 5				
2	2	5/16X1HHCS	BOLT, 5/16"-18 NC X 1", HHCS, PLATED, GRADE 5				
7	1	P2407	3 INCH CAP X 1 INCH, FOR AIR DISCHARGE ON TAILING TOP SPOUT				
8	1	1/2NUT	NUT, 1/2"-13 NC, HEX, PLATED, GRADE 5				



REFER TO ARROWCORP STANDARD TOLERANCE SHEET FOR SHAFT DIAMETER, KEYSEAT AND KEYWAY TOLERANCES.		DATE: 22-APR-21	<b>ArrowCorp Premier</b>
DECIMAL: XXX ± 0.500 XX ± 0.125 X ± 0.060	XX ± 0.030 X.XX ± 0.015 X.XXX ± 0.002	CHECKED BY: P PAITZ B PAULSON	
FRACTIONS: ± 1/32	ANGULAR: FORMED: ± 1.0 DEG. MACHINED: ± 0.25 DEG.	SCALE: 1:12	PRG1-17
		SHEET: 2 OF 2	DRAWING NO: SN3950
			REV: 0